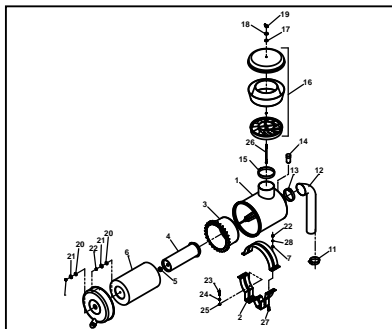


R50C-II 

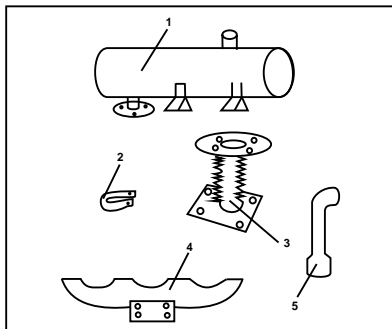
CATALAGO DE PARTES





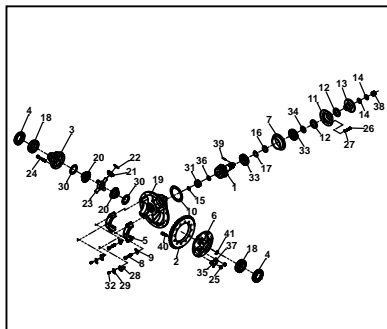
01- FILTRO DE AIRE

Pág. 05



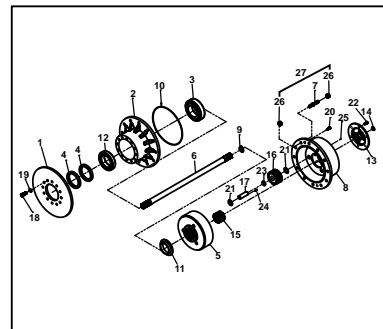
02- ESCAPE

Pág. 06



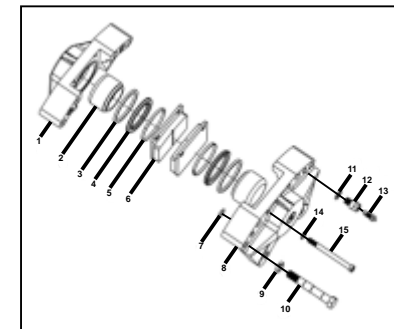
03- DIFERENCIAL

Pág. 07



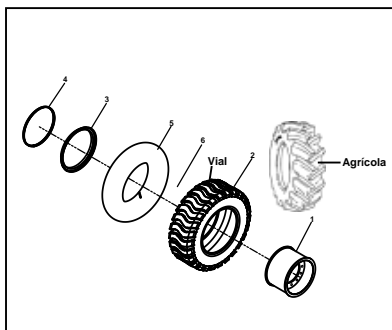
4 - MASA REDUCTORA DE RUEDA

Pág. 08



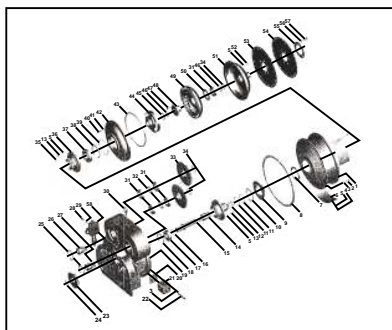
05- CALIPER DE FRENO

Pág. 09



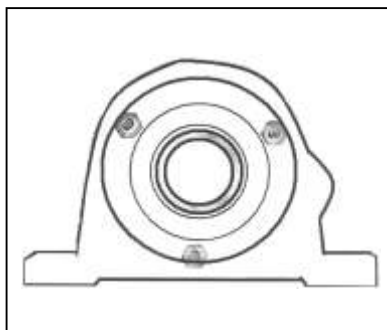
06- RUEDA

Pág. 10



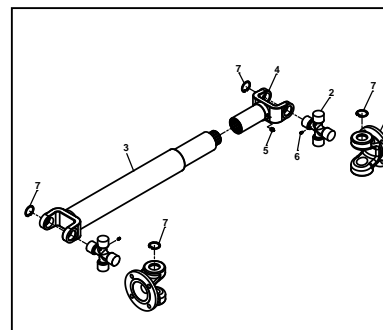
07- CONVERTIDOR

Pág. 11



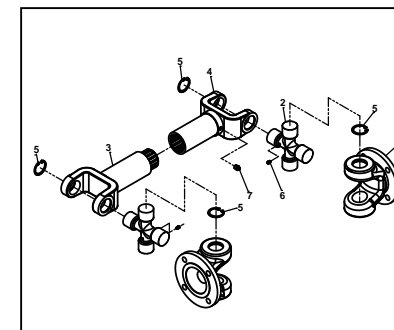
08- PUENTE DE CARDAN

Pág. 12



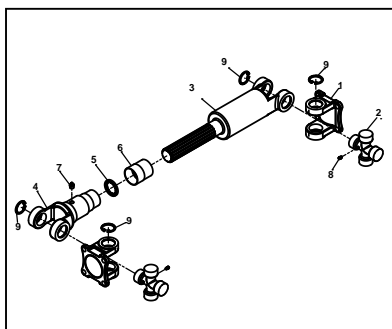
09- BARRA DE MANDO DELANTERA

Pág. 13



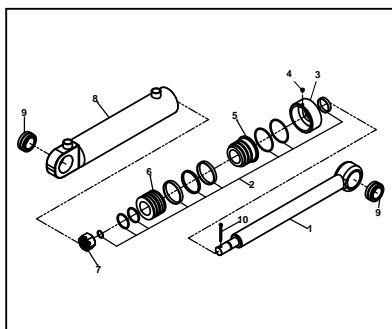
10- BARRA DE MANDO TRASERA

Pág. 14



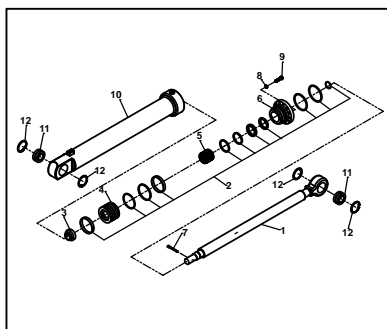
11- BARRA DE MANDO CENTRAL

Pág. 15



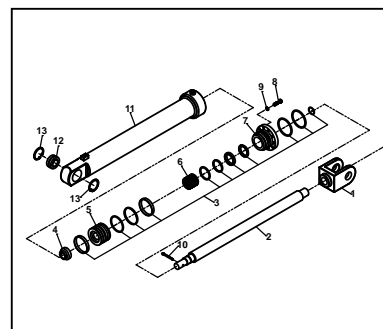
12- CILINDRO DE DIRECCIÓN

Pág. 16



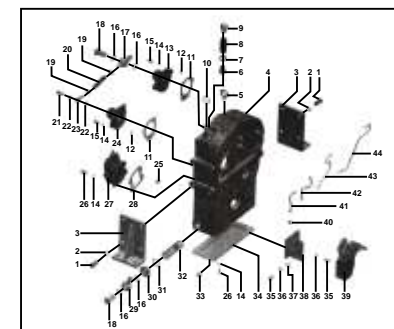
13- CILINDRO DE INCLINACIÓN

Pág. 17



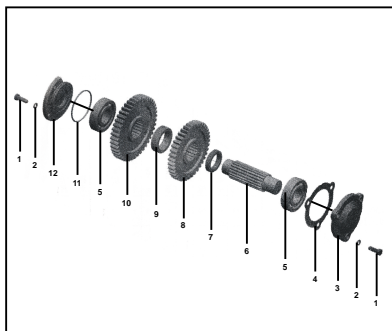
14- CILINDRO DE ELEVACIÓN

Pág. 18



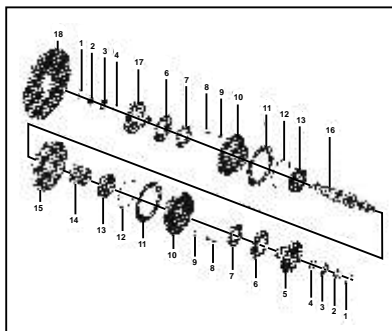
15- CAJA DE TRANSMISIÓN I

Pág. 19



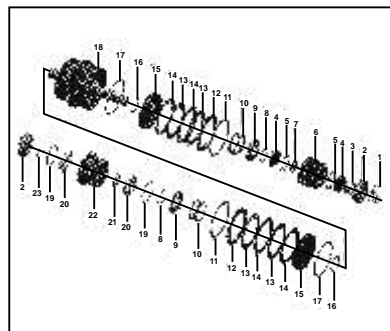
16- CAJA DE TRANSMISIÓN II

Pág. 20



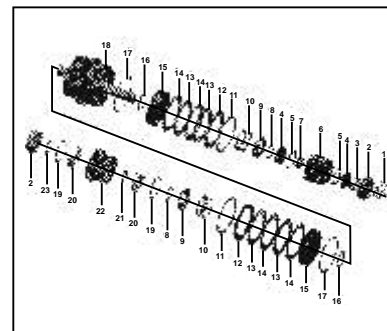
17- CAJA DE TRANSMISIÓN III

Pág. 21



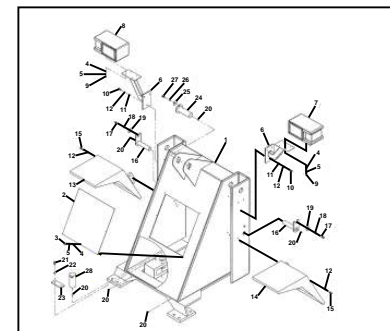
18- EMBRAGUE DE ALTA

Pág. 22



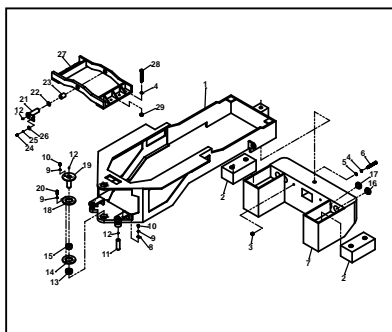
19- EMBRAGUE DE BAJA

Pág. 23



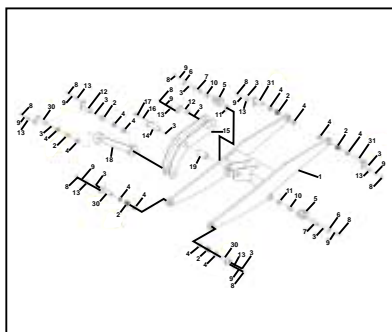
20- CHASIS DELANTERO

Pág. 24



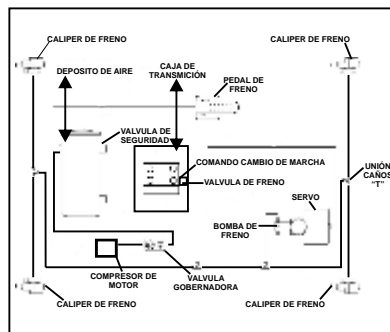
21- CHASIS CENTRAL

Pág. 25



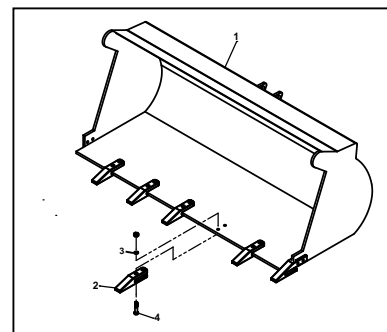
**22- BRAZO DE ELEVACIÓN
E INCLINACIÓN**

Pág. 26



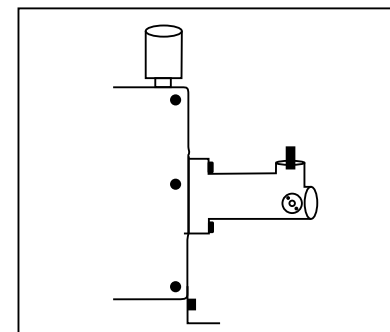
23- SISTEMA DE FRENO

Pág. 27



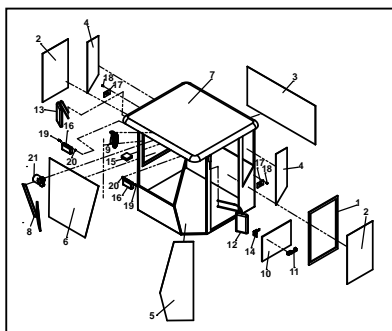
24- BALDE

Pág. 28



25- SISTEMA DE FRENO

Pág. 29



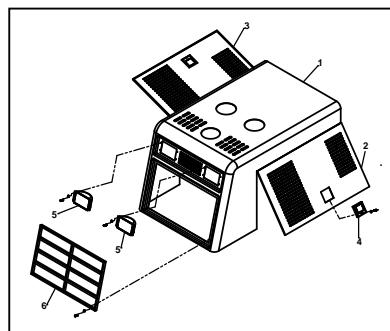
26- CABINA I

Pág. 30



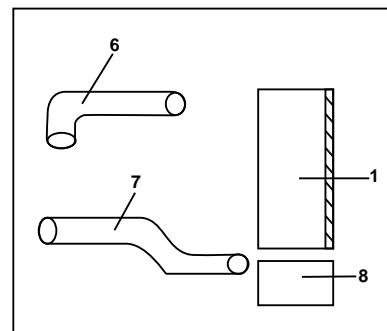
27- CABINA II

Pág. 31



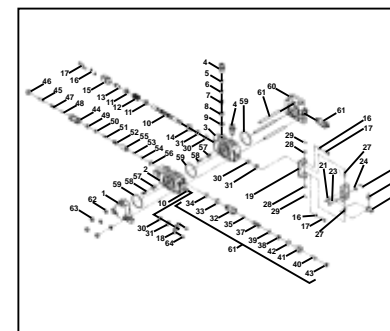
28- CAPÓ

Pág. 32



**29- RADIADOR Y
ACCESORIOS DE MOTOR**

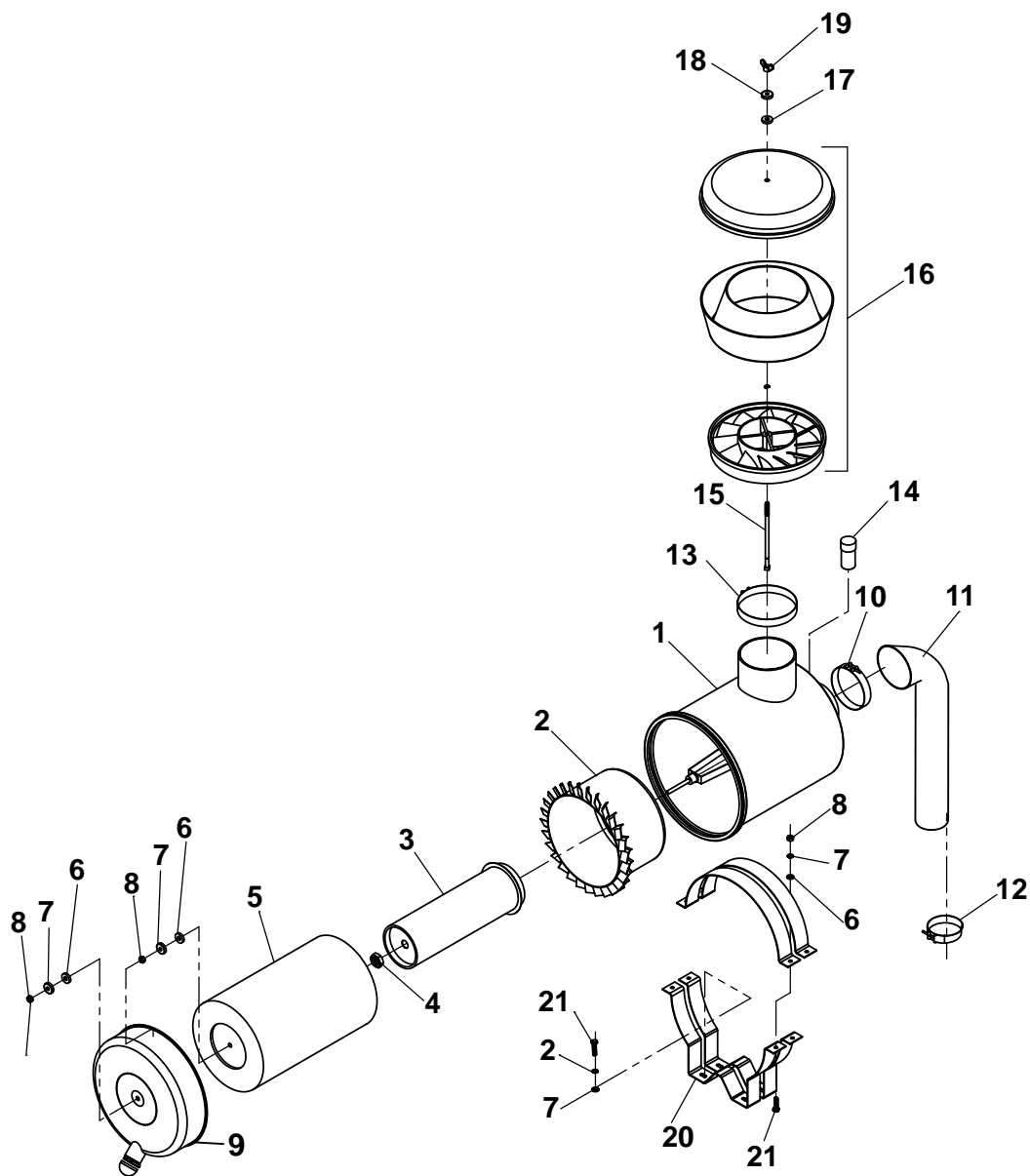
Pág. 33



**30- VALVULA MULTIVIA
DOBLE**

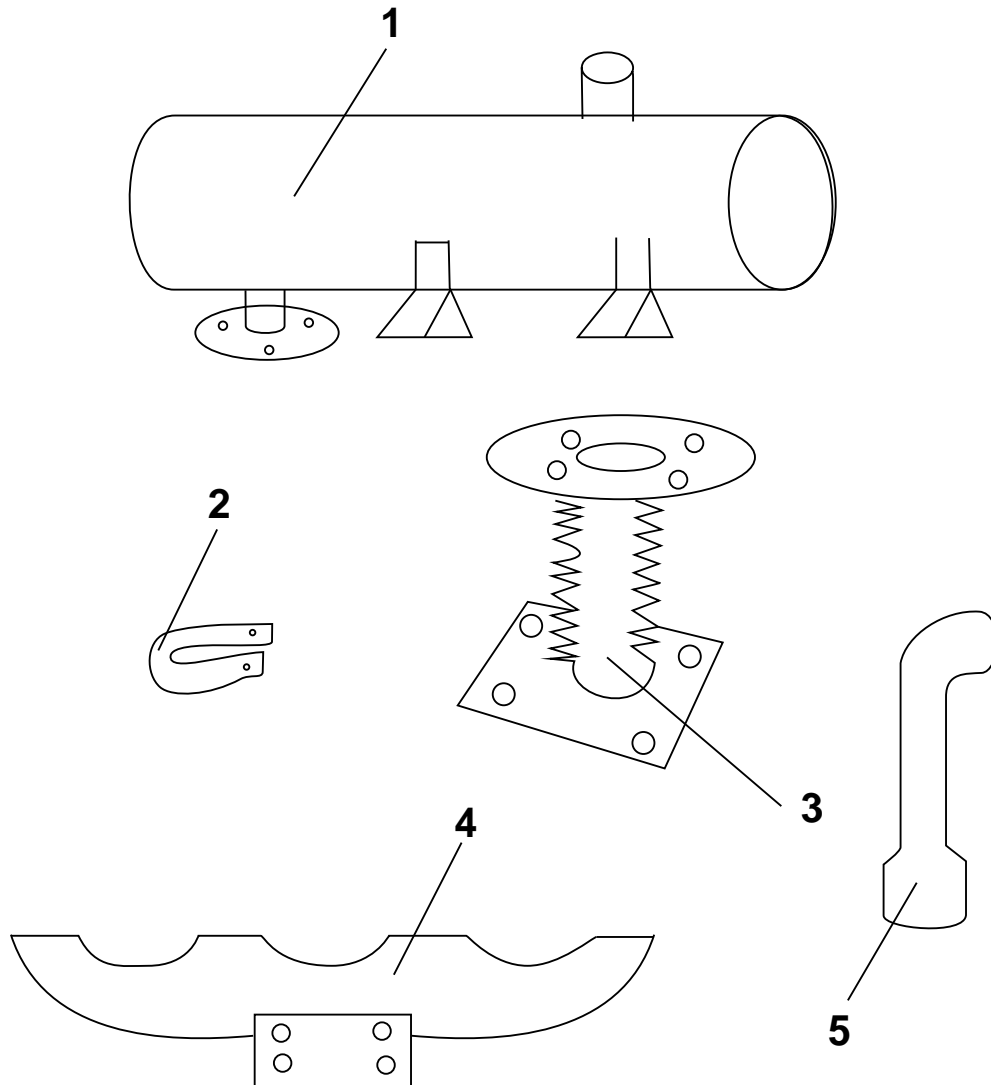
Pág. 34

01- FILTRO DE AIRE



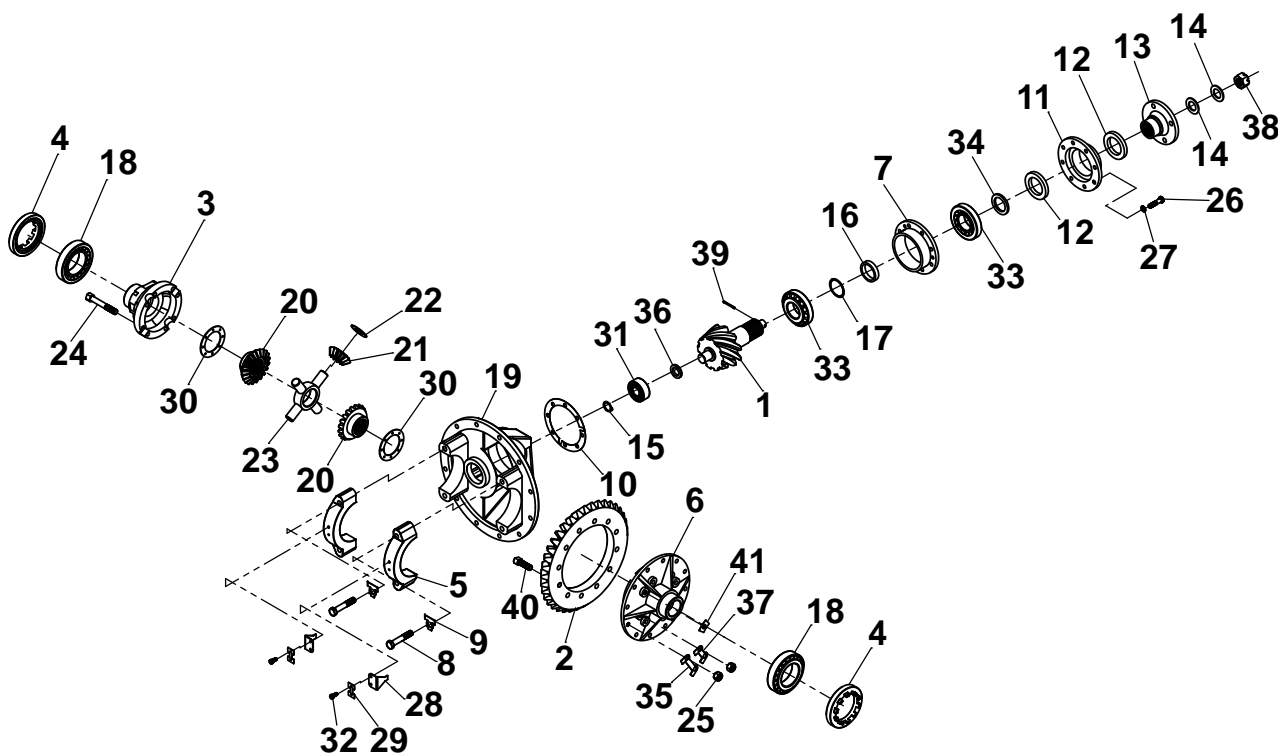
| CODIGO | Nº PIEZA | DESCRIPCION | CANT. |
|----------------|----------|-------------------------------|-------|
| MIR55C.03.001 | 1 | CARCAZA DE FILTRO DE AIRE | 1 |
| | 2 | ALOJAMIENTO FILTRO | |
| MIR50C.03.004N | 3 | FILTRO DE AIRE SECUNDARIO | 1 |
| | 4 | TUERCA | |
| | 5 | FILTRO PRIMARIO | |
| MIR55C.03.006 | 6 | ARANDELA DE GOMA | |
| | 7 | ARANDELA PLANA | |
| | 8 | TUERCA | |
| | 9 | TAPA CARCAZA | |
| | 10 | BRIDA METALICA | |
| | 11 | MANGUERA SALIDA FILTRO | |
| | 12 | BRIDA METALICA | |
| | 13 | BRIDA METALICA | |
| MIR75C.030A | 14 | VACUOMETRO UNIVERSAL MICHIGAN | 1 |
| | 15 | ESPARRAGO ROSCADO | |
| MIR55C.03.016 | 16 | PREFILTRO CENTRIFUGO DE AIRE | 1 |
| | 17 | ARANDELA DE GOMA | |
| | 18 | ARANDELA PLANA | |
| | 19 | MARIPOSA | |
| | 20 | SOPORTE FILTRO | |
| | 21 | TORNILLO | |
| | 22 | ARANDELA GROWER | |

02- ESCAPE



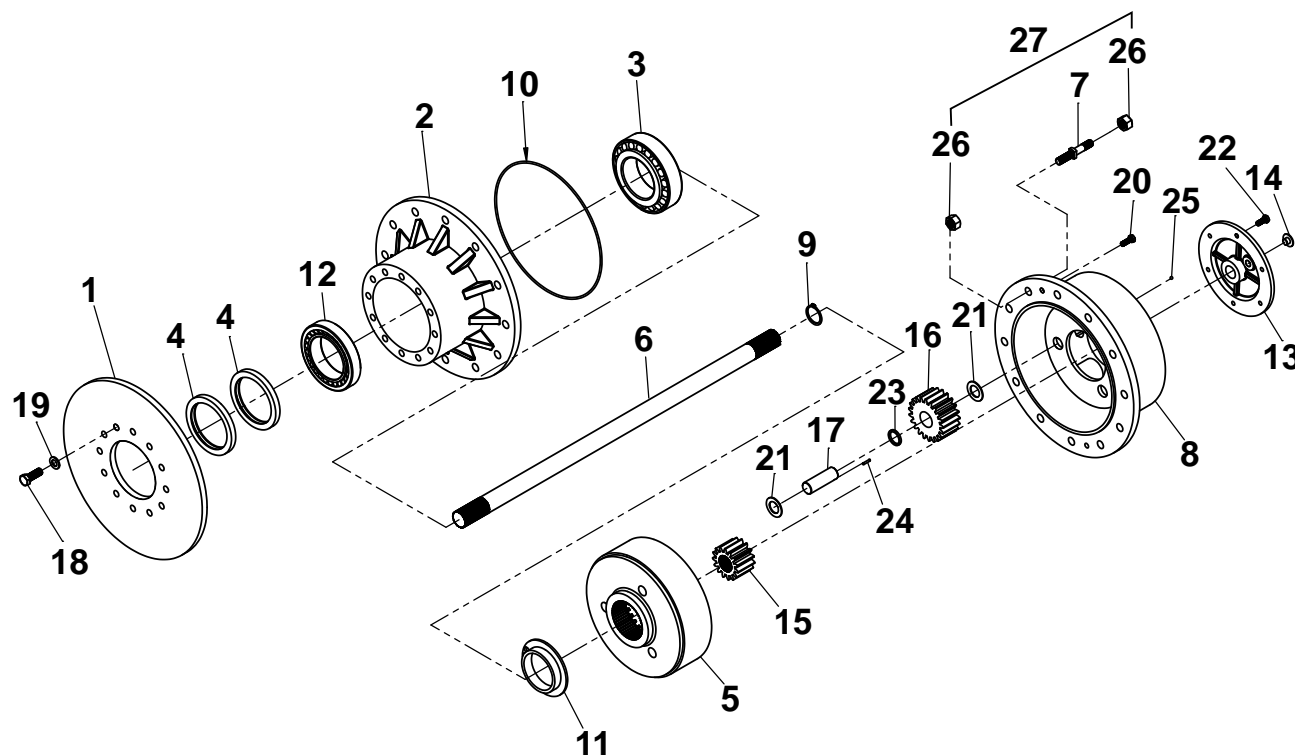
| CODIGO | Nº PIEZA | DESCRIPCION | CANT. |
|---------------|----------|-------------------------|-------|
| MIR55C.07.001 | 1 | SILENCIADOR | 1 |
| MIR55C.07.012 | 2 | ABRAZADERA CODO ESCAPE | 1 |
| MIR55C.07.015 | 3 | FLEXIBLE DE ESCAPE R55C | 1 |
| MIR55C.07.014 | 4 | MULTIPLE | 1 |
| MIR55C.07.015 | 5 | SALIDA DE ESCAPE | 1 |

03- DIFERENCIAL



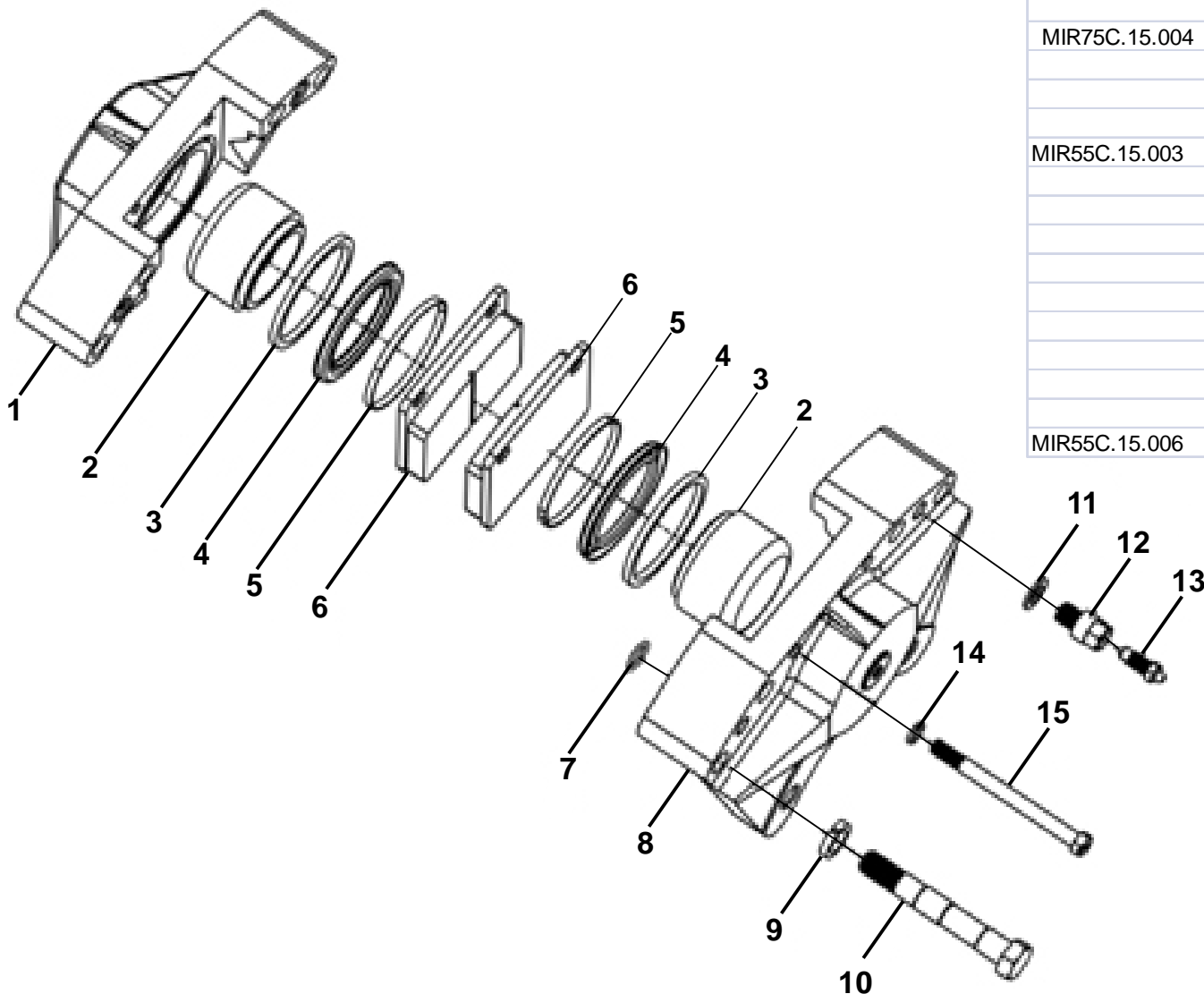
| CODIGO | Nº PIEZA | DESCRIPCION | CANT. |
|---------------|----------|-----------------------------|-------|
| MIR55C.11.110 | | DIFERENCIAL COMPLETO R55C | |
| MIR55C.11.100 | | NUCLEO DIFE. COMPLETO R55C | |
| MIR55C.11.001 | 1 | PIÑON DE DIFERENCIAL | 1 |
| MIR55C.11.002 | 2 | CORONA DE DIFERENCIAL | 1 |
| MIR55C.11.003 | 3 | TAPA JAULA DIFERENCIAL | 1 |
| MIR55C.11.004 | 4 | TUERCA SOPORTE JAULA | 2 |
| MIR55C.11.005 | 5 | BANCADA JAULA DIFERENCIAL | 2 |
| MIR55C.11.006 | 6 | BASE JAULA DIFERENCIAL | 1 |
| | 7 | PORTA RODAMIENTO | |
| | 8 | TORNILLO | |
| | 9 | ARANDELA CON TRABA | |
| MIR55C.11.010 | 10 | JUNTA TAPA SALIDA DIFER. | 5 |
| | 11 | PORTA RODAMIENTO | |
| MIR55C.11.012 | 12 | RETEN 55x82x12 DIFERENCIAL | 2 |
| MIR55C.11.013 | 13 | ACOPLE BARRA MANDO | 1 |
| | 14 | ARANDELA | |
| MIR55C.11.018 | 18 | RODAMIENTO 7215E | 2 |
| MIR55C.11.019 | 19 | CARCASA NUCLEO DIFERENCIAL | 1 |
| MIR55C.11.020 | 20 | ENGRANAJE PLANETARIO | 2 |
| MIR55C.11.021 | 21 | ENGRANAJE SATELITE | 4 |
| MIR55C.11.022 | 22 | ARANDELA DE ENGR SATELITE | 4 |
| MIR55C.11.023 | 23 | CRUCETA | 1 |
| MIR55C.11.024 | 24 | TORNILLO JAULA DIFERENCIAL | 8 |
| MIR55C.11.030 | 30 | ARANDELA ENGR. PLANETARIO | 2 |
| MIR55C.11.031 | 31 | RODAMIENTO 102605 | 1 |
| MIR55C.11.033 | 33 | RODAMIENTO 27709 | 2 |
| MIR55C.11.040 | 40 | TORNILLO CORONA DIFERENCIAL | 12 |

04- MASA REDUCTORA DE RUEDA



| CODIGO | Nº PIEZA | DESCRIPCION | CANT. |
|----------------|----------|---------------------------------|-------|
| MIR55C.13.001 | 1 | DISCO DE FRENO | 1 |
| MIR55C.13.002 | 2 | SOPORTE DE TRANSPORTADOR | 1 |
| MIR55C.13.003 | 3 | RODAMIENTO 2007117E | 1 |
| MIR55C.13.004 | 4 | RETEN | 2 |
| MIR55C.13.005 | 5 | CORONA DE MASA REDUCTOR | 1 |
| MIR55C.13.006 | 6 | PALIER | 1 |
| | 7 | ESPARRAGO | |
| MIR55C.13.008 | 8 | TRANSPORTADOR PLANETARIO | 1 |
| MIR55C.13.008B | | TRANSPORTADOR PLANETARIO COMPL. | 1 |
| | 9 | ARO SEEGER | |
| MIR55C.13.010 | 10 | O-RING DE MASA REDUCTORA | 1 |
| MIR55C.13.011 | 11 | TUERCA DE CORONA | 1 |
| MIR55C.13.012 | 12 | RODAMIENTO 7516E | 1 |
| MIR55C.13.013 | 13 | TAPA TRANSPORTADOR PLANET. | 1 |
| MIR55C.13.014 | 14 | TAPON DE ACEITE | 1 |
| MIR55C.13.015 | 15 | ENGRANAJE CENTRAL MASA REDUCT. | 1 |
| MIR55C.13.016 | 16 | ENGRANEJE PLANETARIO DE MASA R. | 3 |
| MIR55C.13.017 | 17 | EJE DE ENGR. PLANET. MASA | 3 |
| | 18 | BULON DISCO DE FRENO | |
| | 19 | ARANDELA GROWER | |
| | 20 | TORNILLO | |
| MIR55C.13.021 | 21 | ARANDELA ENGR PLANET | 6 |
| | 22 | TORNILLO | |
| MIR55C.13.023 | 23 | SEPARADOR DE AGUJAS | 3 |
| MIR55C.13.024 | 24 | AGUJA DE RODAMIENTO | 174 |
| | 26 | TUERCA | |
| MIR55C.13.027 | 27 | BULON C/TUERCA DE RUEDA | |

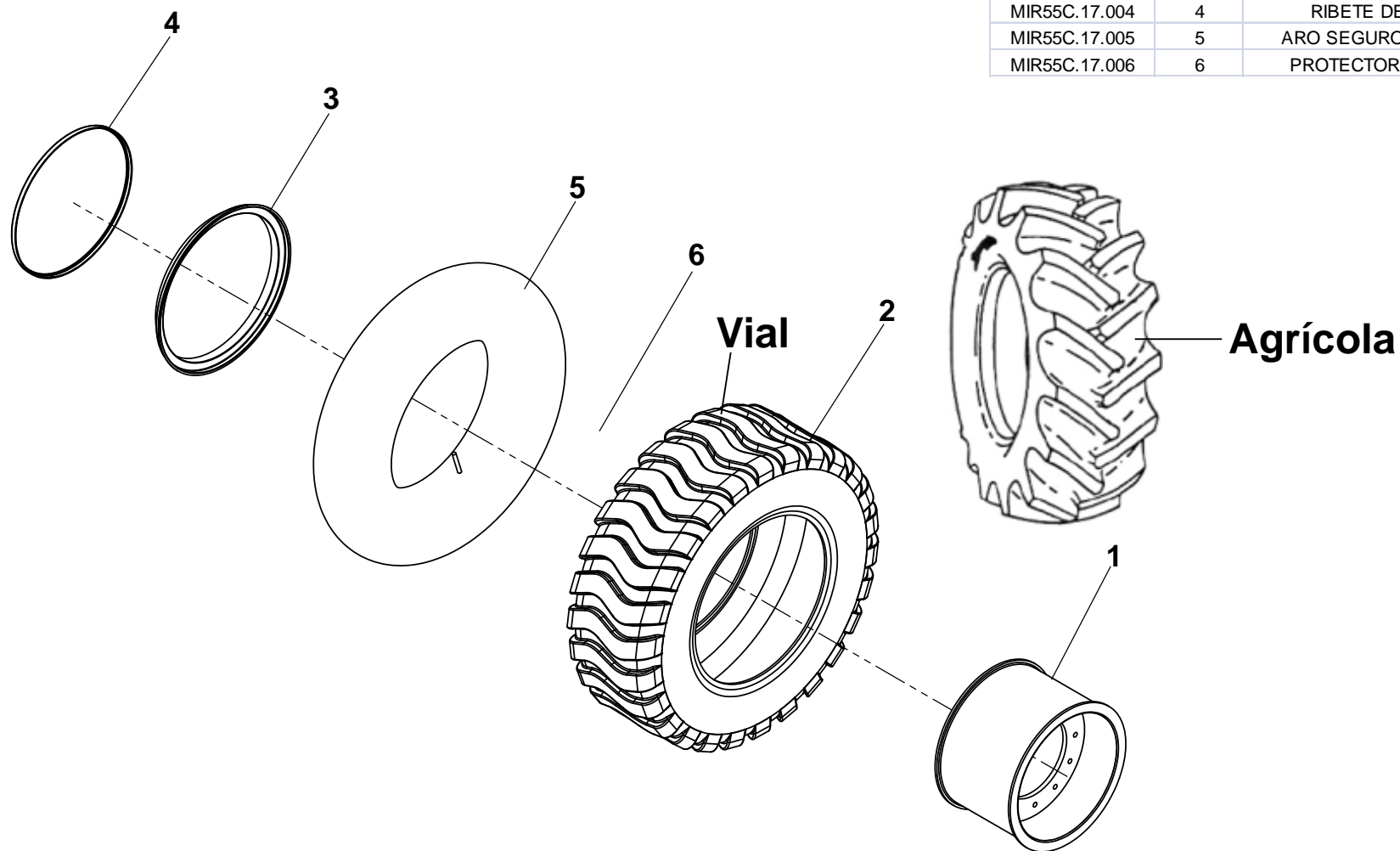
05- CALIPER DE FRENO



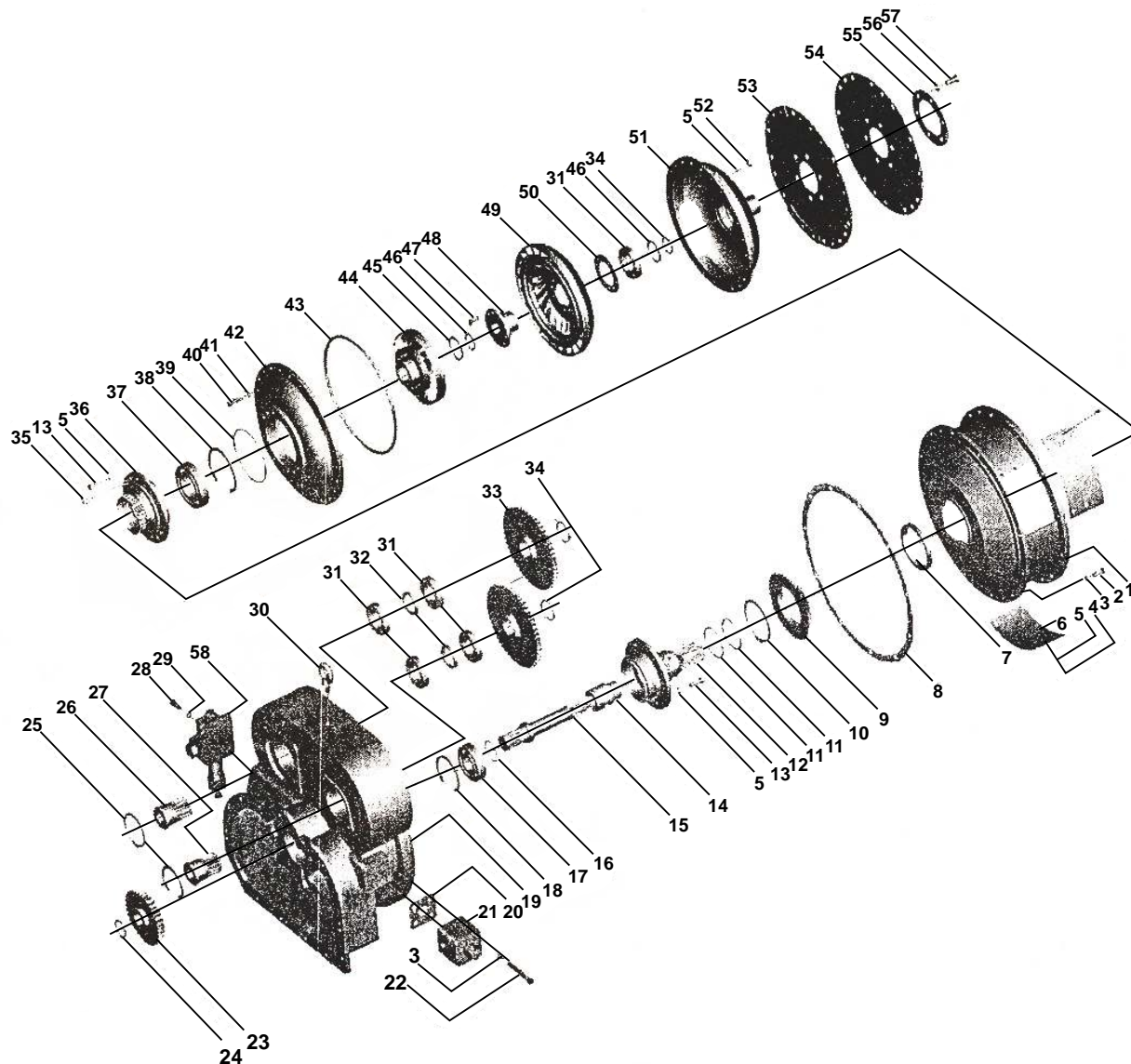
| CODIGO | Nº PIEZA | DESCRIPCION | CANT. |
|---------------|----------|-------------------------------|-------|
| MIR55C.15.001 | | CALIPER DE FRENO R55C | 1 |
| | 1 | TAPA CALIPER | 1 |
| MIR75C.15.004 | 2 | PISTON CALIPER DE FRENO | 2 |
| | 3 | SELLO CALIPER DE FRENO | 2 |
| | 4 | GURDAPOLVO CALIPER | 2 |
| | 5 | ARO SEGURO SELLO | 2 |
| MIR55C.15.003 | 6 | PASTILLA DE FRENO | 2 |
| | 7 | O-RING | 2 |
| | 8 | CARCASA CALIPER | 1 |
| | 9 | ARANDELA PRESIÓN | 4 |
| | 10 | BULON CALIPER | 4 |
| | 11 | ARANDELA SELLO | 2 |
| | 12 | ACOPLE VALVULA DRENAJE | 2 |
| | 13 | VALVULA DRENAJE | 2 |
| | 14 | ARANDELA PRESIÓN | 2 |
| | 15 | BULON GUIA PASTILLA DE FRENO | 2 |
| MIR55C.15.006 | 16 | KIT DE REPARACION CALIPER R55 | 1 |

06- RUEDA

| CODIGO | Nº PIEZA | DESCRIPCION | CANT. |
|---------------|----------|----------------------|-------|
| MIR55C.17.100 | 1 | RUEDA COMP. VIAL | 1 |
| MIR55C.17.101 | 2 | RUEDA COMP. AGRICOLA | 1 |
| MIR55C.17.003 | 3 | CAMARA | 1 |
| MIR55C.17.004 | 4 | RIBETE DE LLANTA | 1 |
| MIR55C.17.005 | 5 | ARO SEGURO DE LLANTA | 1 |
| MIR55C.17.006 | 6 | PROTECTOR DE RUEDA | 1 |



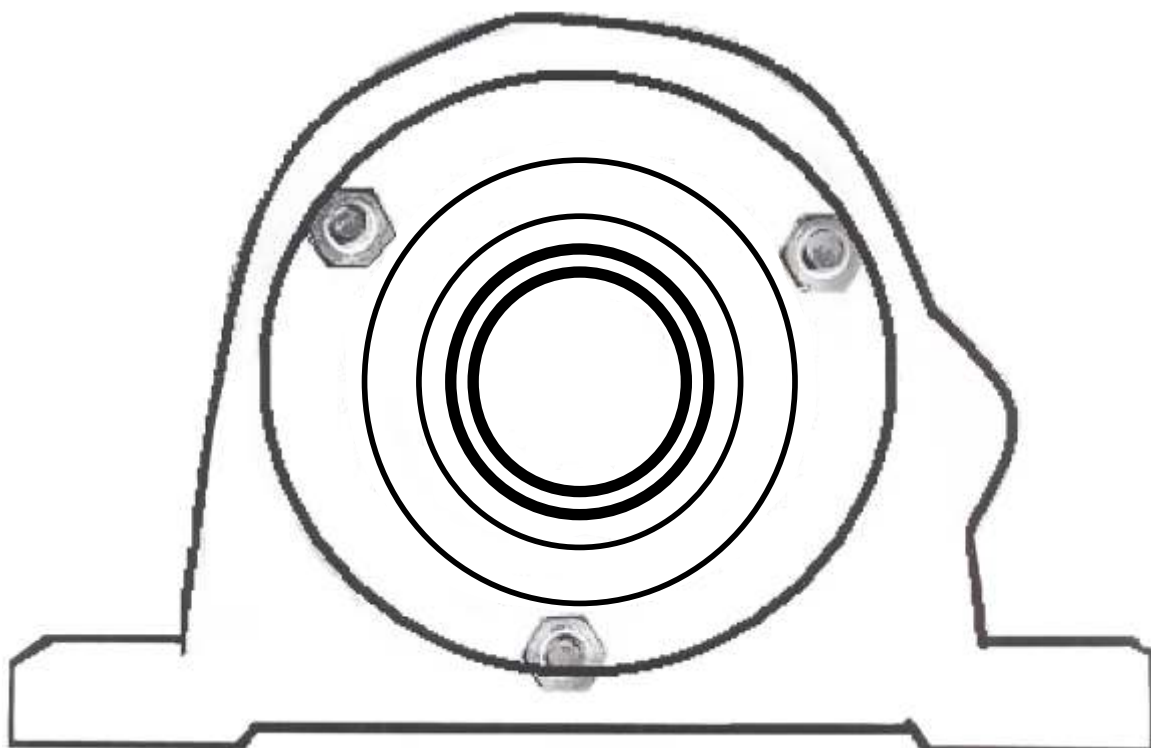
07- CONVERTIDOR



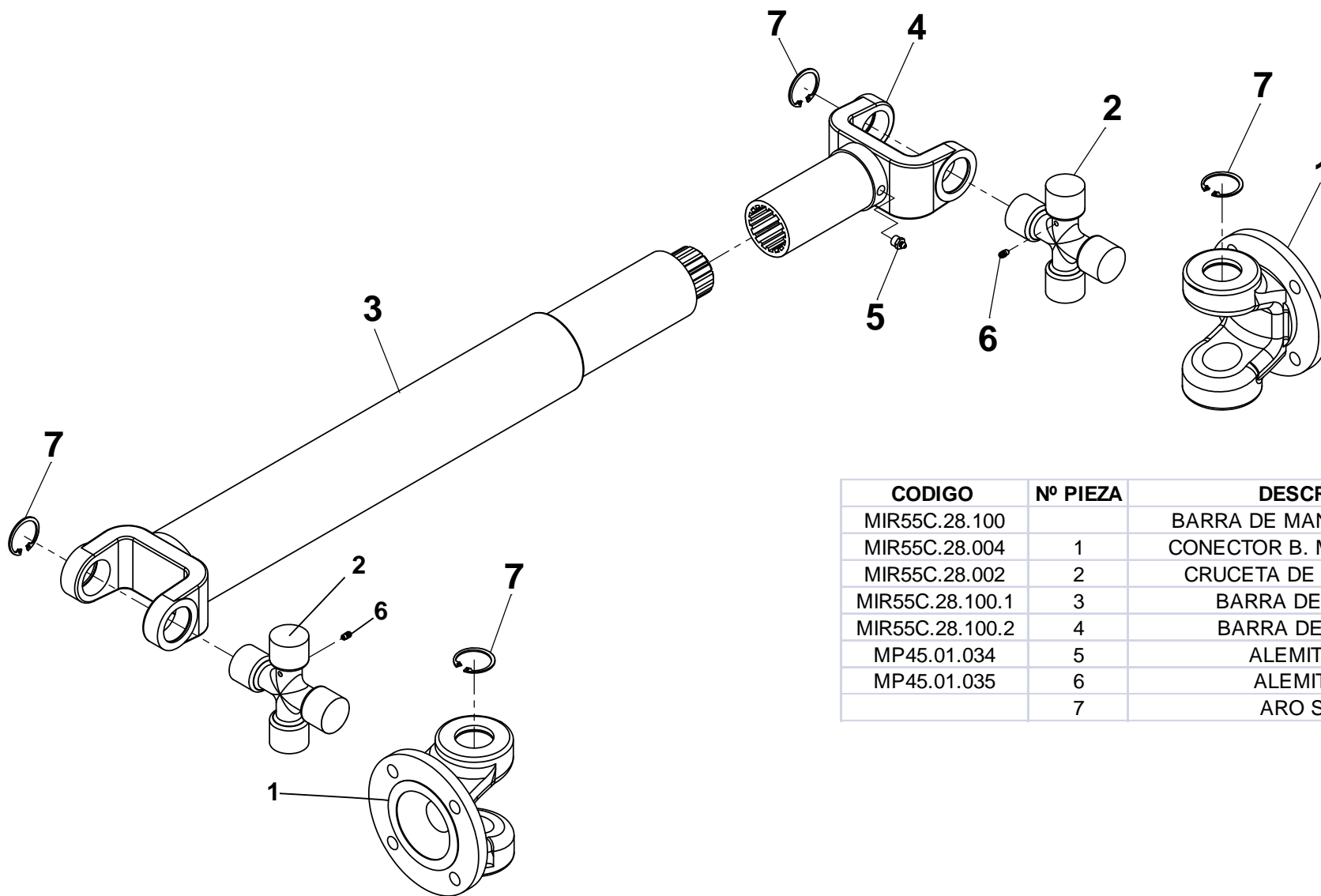
| CODIGO | Nº PIEZA | DESCRIPCION | CANT. |
|----------------|----------|---------------------------------|-------|
| MIR55C.25.001 | 1 | ALOJAMIENTO DE CONVERTIDOR R55C | 1 |
| MIR55C.25.006 | 6 | PLACA DE INSPECCION R55C | 1 |
| MIR55C.25.007 | 7 | RETEN 100 X 120 X 12 | 1 |
| MIR55C.25.008 | 8 | JUNTA ALOJAM. CONVERT R55C | 1 |
| MIR55C.25.009 | 9 | ENGRANAJE DE CONV R55C | 1 |
| MIR55C.25.010 | 10 | ARO SEEGER Ø100 R55C | 1 |
| MIR55C.25.011 | 11 | ARO SELLO PLASTICO Ø80 R55C | 2 |
| MIR55C.25.012 | 12 | MANGA DE ESTATOR R55C | 1 |
| MIR55C.25.014 | 14 | BUJE DE MANGA R55C | 1 |
| MIR55C.25.015 | 15 | EJE DE CONVERTIDOR R55C | 1 |
| MIR55C.25.016 | 16 | ARO SELLO PLASTICO Ø50 | 1 |
| MIR95C.40B.020 | 17 | RODAMIENTO 6308 | 1 |
| MIR55C.25.018 | 18 | ARO SEEGER Ø90 R55C | 1 |
| MIR55C.25.019 | 19 | CARCASA ENGRANAJES CONVERT R55C | 1 |
| MIR55C.25.020 | 20 | JUNTA DE VALVULA R55C | 1 |
| MIR55C.25.021 | 21 | VALVULA SALIDA CONVERT R55C | 1 |
| MIR55C.25.023 | 23 | ENGRANAJE DE EJE CONV R55C | 1 |
| MIR55C.25.024 | 24 | ARO SEEGER Ø40 R55C | 1 |
| MIR55C.25.025 | 25 | ARO SEEGER Ø80 R55C | 2 |
| MIR55C.25.026 | 26 | EJE ACOPLE BOMBA I R55C | 1 |
| MIR55C.25.027 | 27 | EJE ACOPLE BOMBA II R55C | 1 |
| MIR55C.25.031 | 31 | RODAMIENTO 6010E R55C | 5 |
| MIR55C.25.032 | 32 | ESPACIADOR DE RODAMIENTO R55C | 2 |
| MIR55C.25.033 | 33 | ENGRANAJE SALIDA BOMBA R55C | 2 |
| MIR55C.25.034 | 34 | ARO SEEGER Ø50 R55C | 3 |
| MIR55C.25.036 | 36 | MANGA DE IMPULSOR R55C | 1 |
| MIR55C.25.037 | 37 | RODAMIENTO 6212E R55C | 1 |
| MIR55C.25.038 | 38 | ARO SEEGER Ø110 R55C | 1 |
| MIR55C.25.039 | 39 | O-RING 130 X 3.1 | 1 |
| MIR55C.25.042 | 42 | IMPULSOR DE CONVERT R55C | 1 |
| MIR55C.25.043 | 43 | O-RING 290 X 3.55 | 1 |
| MIR55C.25.044 | 44 | ESTATOR DE CONVERT R55C | 1 |
| MIR55C.25.045 | 45 | ARO SEEGR Ø55 R55C | 1 |
| MIR55C.25.046 | 46 | ARO SEEGR Ø38 R55C | 2 |
| MIR55C.25.049 | 49 | TURBINA DE CONVERT R55C | 1 |
| MIR55C.25.050 | 50 | ARANDELA DE CONVERT R55C | 1 |
| MIR55C.25.051 | 51 | ALOJAMIENTO DE TURBINA R55C | 1 |
| MIR55C.25.053 | 53 | PLACA ELASTICA ACOPLE I R55C | 1 |
| MIR55C.25.054 | 54 | PLACA ELASTICA ACOPLE II R55C | 1 |
| MIR55C.25.055 | 55 | ESPACIADOR DE PLACA R55C | 1 |
| MIR55C.25.058 | 58 | VALVULA PRESION CONVERT R55C | 1 |

08- PUENTE DE CARDAN

| CODIGO | Nº PIEZA | DESCRIPCION | CANT. |
|---------------|----------|------------------|-------|
| MIR55C.28.003 | 1 | PUENTE DE CARDAN | 1 |



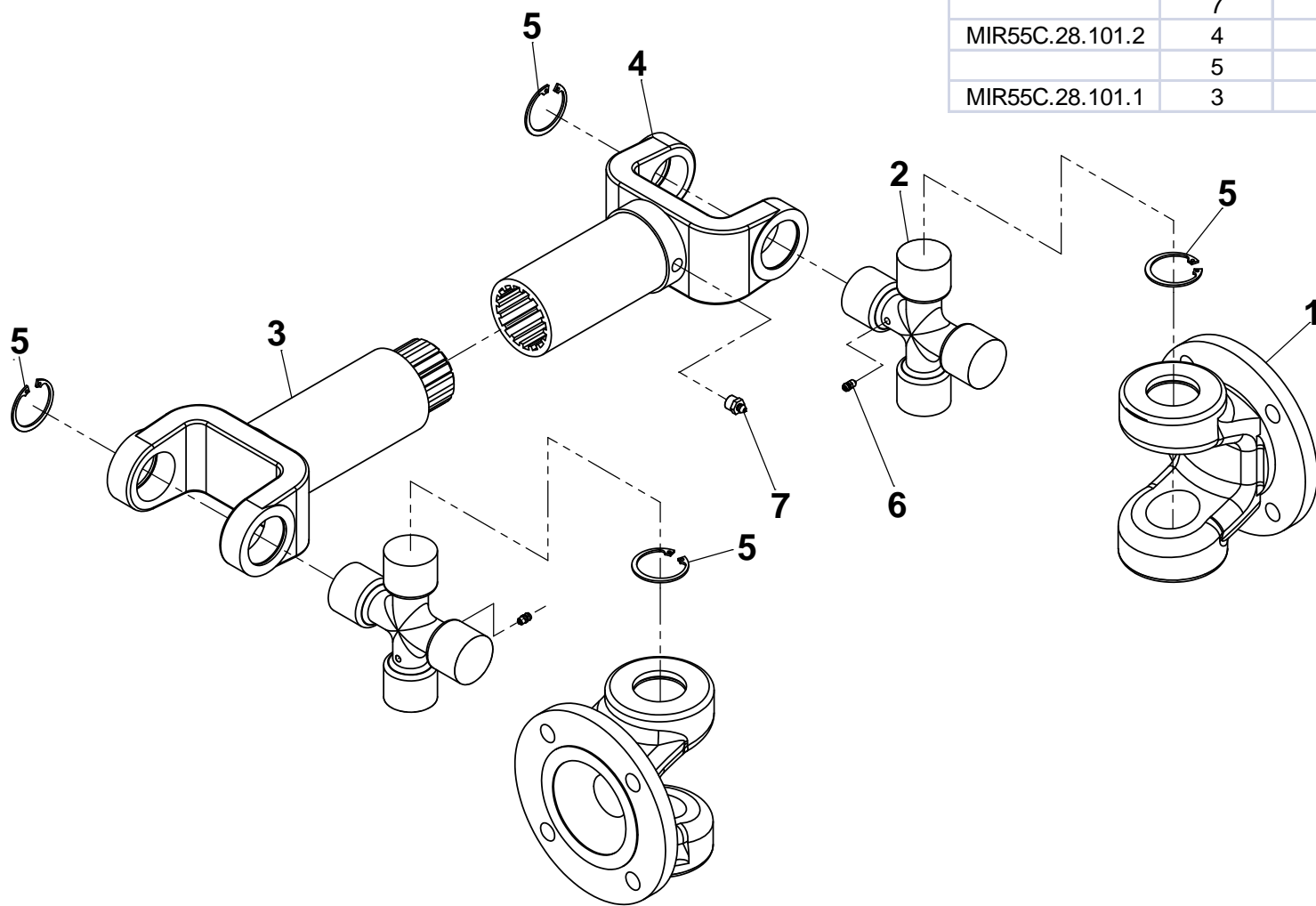
09- BARRA DE MANDO DELANTERA



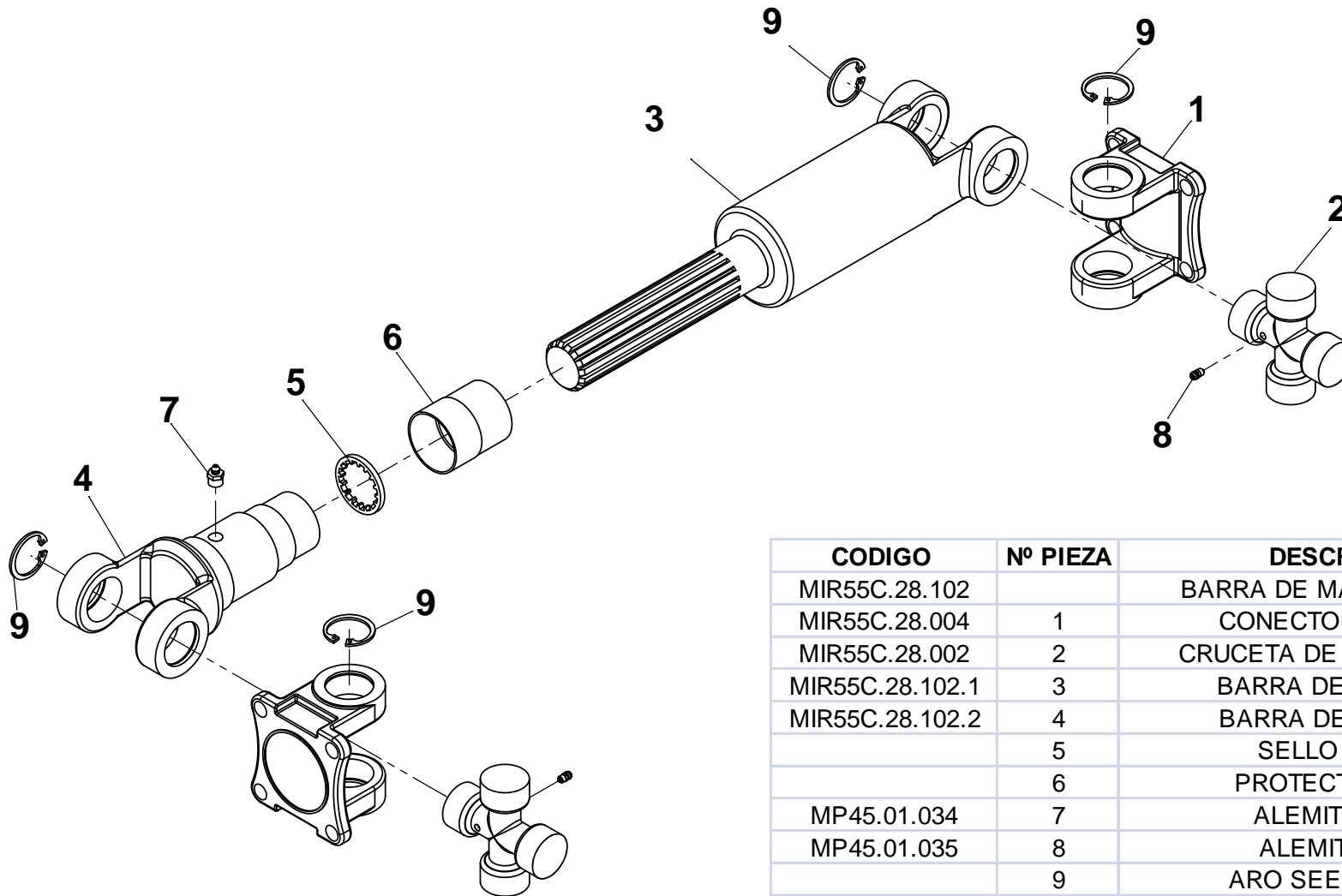
| CODIGO | Nº PIEZA | DESCRIPCION | CANT. |
|-----------------|----------|---------------------------|-------|
| MIR55C.28.100 | | BARRA DE MANDO DELANTERA | 1 |
| MIR55C.28.004 | 1 | CONECTOR B. MANDO FRONTAL | 2 |
| MIR55C.28.002 | 2 | CRUCETA DE BARRA MANDO | 2 |
| MIR55C.28.100.1 | 3 | BARRA DE MANDO "M" | 1 |
| MIR55C.28.100.2 | 4 | BARRA DE MANDO "H" | 1 |
| MP45.01.034 | 5 | ALEMITE M10 x1 | 1 |
| MP45.01.035 | 6 | ALEMITE M5 x1 | 2 |
| | 7 | ARO SEEGER | 8 |

10- BARRA DE MANDO TRASERA

| CODIGO | Nº PIEZA | DESCRIPCION | CANT. |
|-----------------|----------|------------------------|-------|
| MIR55C.28.101 | | BARRA DE MANDO TRASERA | 1 |
| MIR55C.28.004 | 1 | CONECTOR B. MANDO | 2 |
| MIR55C.28.002 | 2 | CRUCETA DE BARRA MANDO | 2 |
| | 6 | ALEMITE M5 x1 | 2 |
| | 7 | ALEMITE M10 x1 | 1 |
| MIR55C.28.101.2 | 4 | BARRA DE MANDO "H" | 1 |
| | 5 | ARO SEEGER 33 mm | 8 |
| MIR55C.28.101.1 | 3 | BARRA MANDO "M" | 1 |



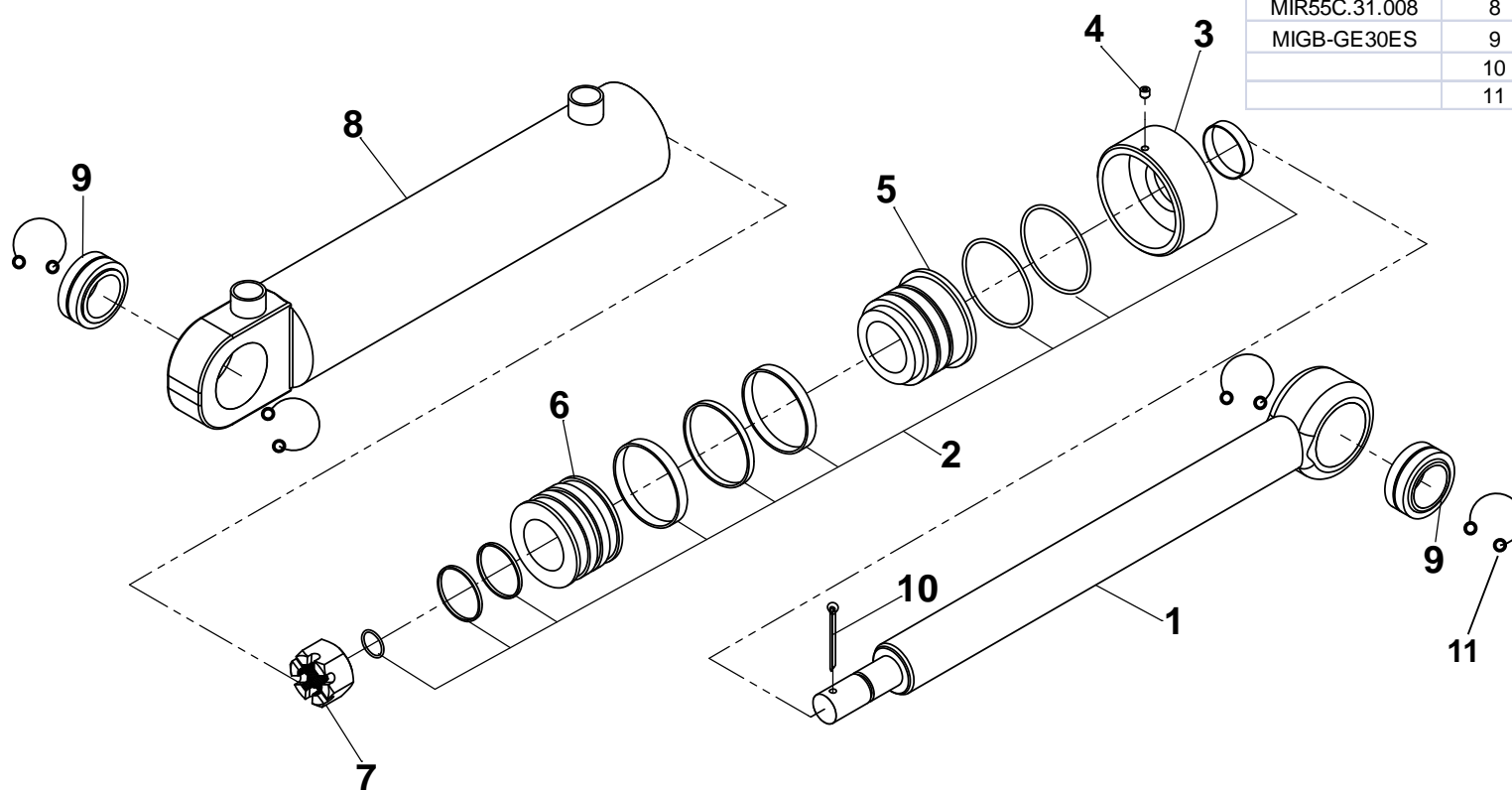
11- BARRA DE MANDO CENTRAL



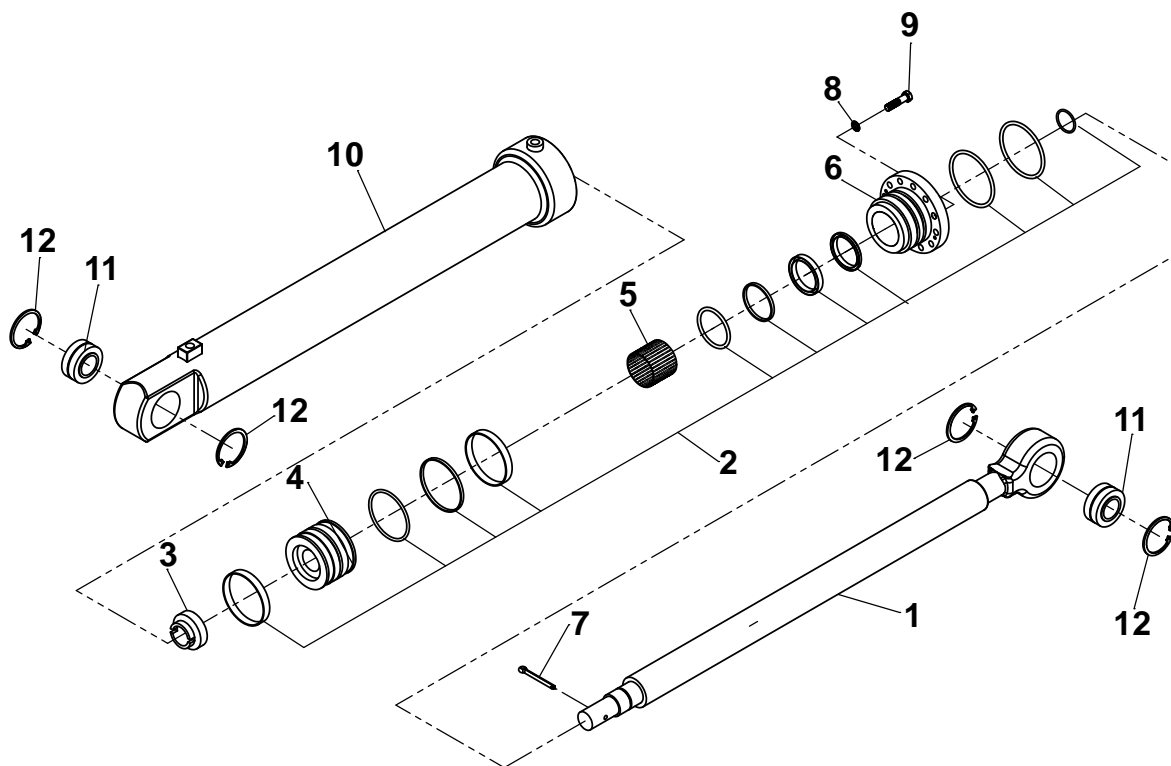
| CODIGO | Nº PIEZA | DESCRIPCION | CANT. |
|-----------------|----------|------------------------|-------|
| MIR55C.28.102 | | BARRA DE MANDO CENTRAL | 1 |
| MIR55C.28.004 | 1 | CONECTOR B. MANDO | 2 |
| MIR55C.28.002 | 2 | CRUCETA DE BARRA MANDO | 2 |
| MIR55C.28.102.1 | 3 | BARRA DE MANDO "M" | 1 |
| MIR55C.28.102.2 | 4 | BARRA DE MANDO "H" | 1 |
| | 5 | SELLO CORCHO | 1 |
| | 6 | PROTECTOR SELLO | 1 |
| MP45.01.034 | 7 | ALEMITE M10 x 1 | 1 |
| MP45.01.035 | 8 | ALEMITE M5 x 1 | 2 |
| | 9 | ARO SEEGER 33 mm | 8 |

12- CILINDRO DE DIRECCION

| CODIGO | Nº PIEZA | DESCRIPCION | CANT. |
|---------------|----------|---------------------------------|-------|
| MIR55C.31.100 | | CILINDRO DE DIRECCION HIDR. | 2 |
| MIR55C.31.001 | 1 | VASTAGO CILINDRO DIRECCION | 1 |
| MIR55C.31.002 | 2 | KIT REPARACION CILINDRO DIRECC. | 1 |
| MIR55C.31.003 | 3 | TAPA FUNDA DE CILINDRO | 1 |
| MIR55C.31.004 | 4 | TAPON DE CILINDRO | 1 |
| MIR55C.31.005 | 5 | MANGA GUIA | 2 |
| MIR55C.31.006 | 6 | PISTON CILIND. DIRECCION | 2 |
| MIR55C.31.007 | 7 | TUERCA CASTILLO | 2 |
| MIR55C.31.008 | 8 | FUNDA DE VASTAGO | 1 |
| MIGB-GE30ES | 9 | BUJE OSCILANTE 30 mm | 2 |
| | 10 | CHAVETA PARTIDA | 1 |
| | 11 | ARO SEEGER 50 mm | 4 |

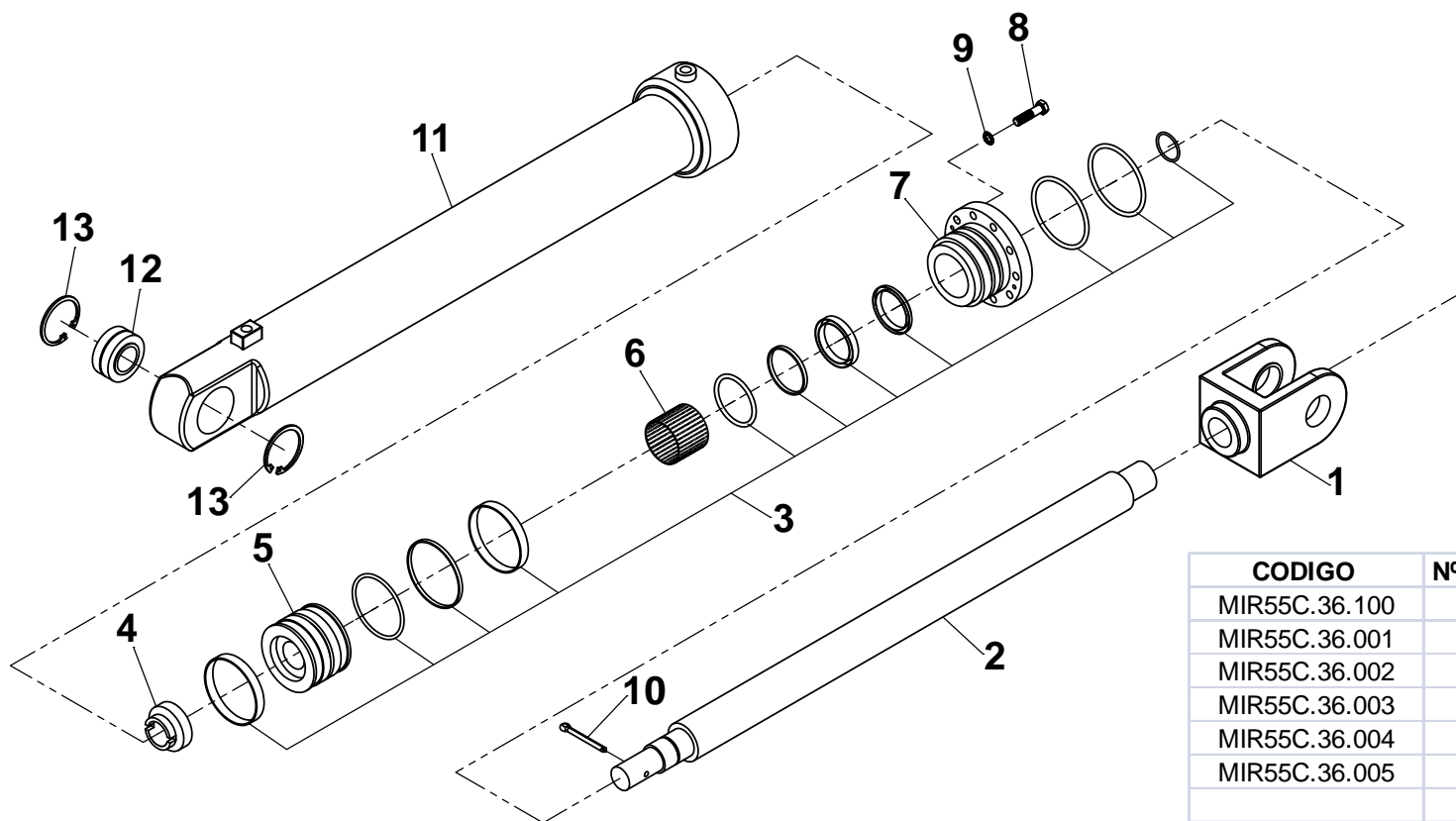


13- CILINDRO DE INCLINACIÓN



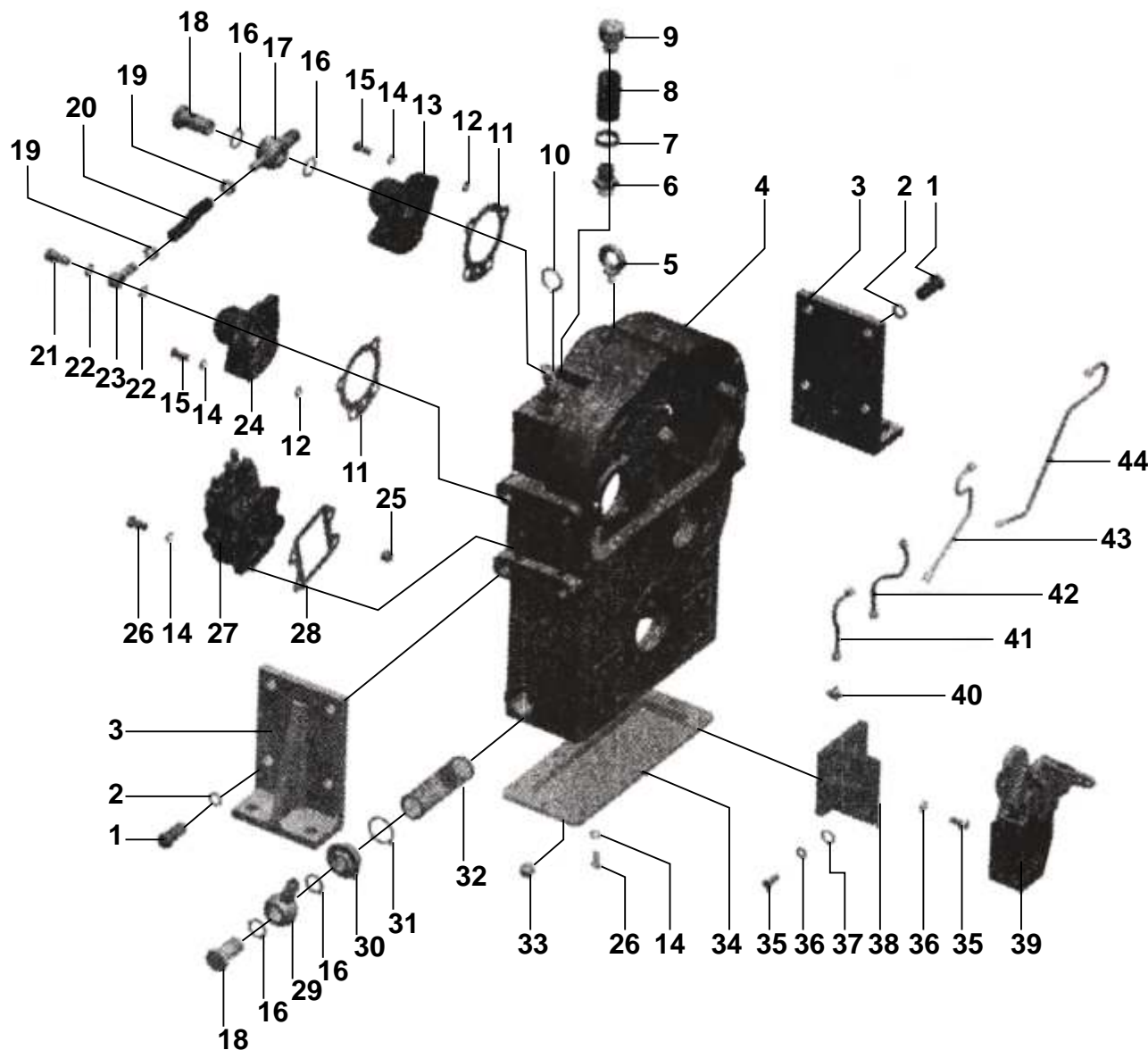
| CODIGO | Nº PIEZA | DESCRIPCION | CANT. |
|---------------|----------|-----------------------------------|-------|
| MIR55C.35.100 | | CILINDRO DE INCLINACION | 1 |
| MIR55C.35.001 | 1 | VASTAGO CILINDRO INCLINACION | 1 |
| MIR55C.35.002 | 2 | KIT REPARACION CILIND INCLINACION | 1 |
| MIR55C.35.003 | 3 | TUERCA DE VASTAGO | 1 |
| MIR55C.35.004 | 4 | PISTON CILINDRO INCLINACION | 1 |
| MIR55C.35.005 | 5 | BUJE CILIND INCLINACION | 1 |
| MIR55C.35.006 | 6 | MANGA GUIA CILIND INCLINACION | 1 |
| | 7 | CHAVETA PARTIDA | 1 |
| | 8 | ARANDELA | |
| | 9 | TORNILLO | |
| MIR55C.35.010 | 10 | FUNDA CILINDRO INCLINACION | 1 |
| MIGB-GE50ES | 11 | BUJE OSCILANTE 50 mm | 2 |
| | 12 | ARO SEEGER 65 mm | 4 |

14- CILINDRO DE ELEVACIÓN



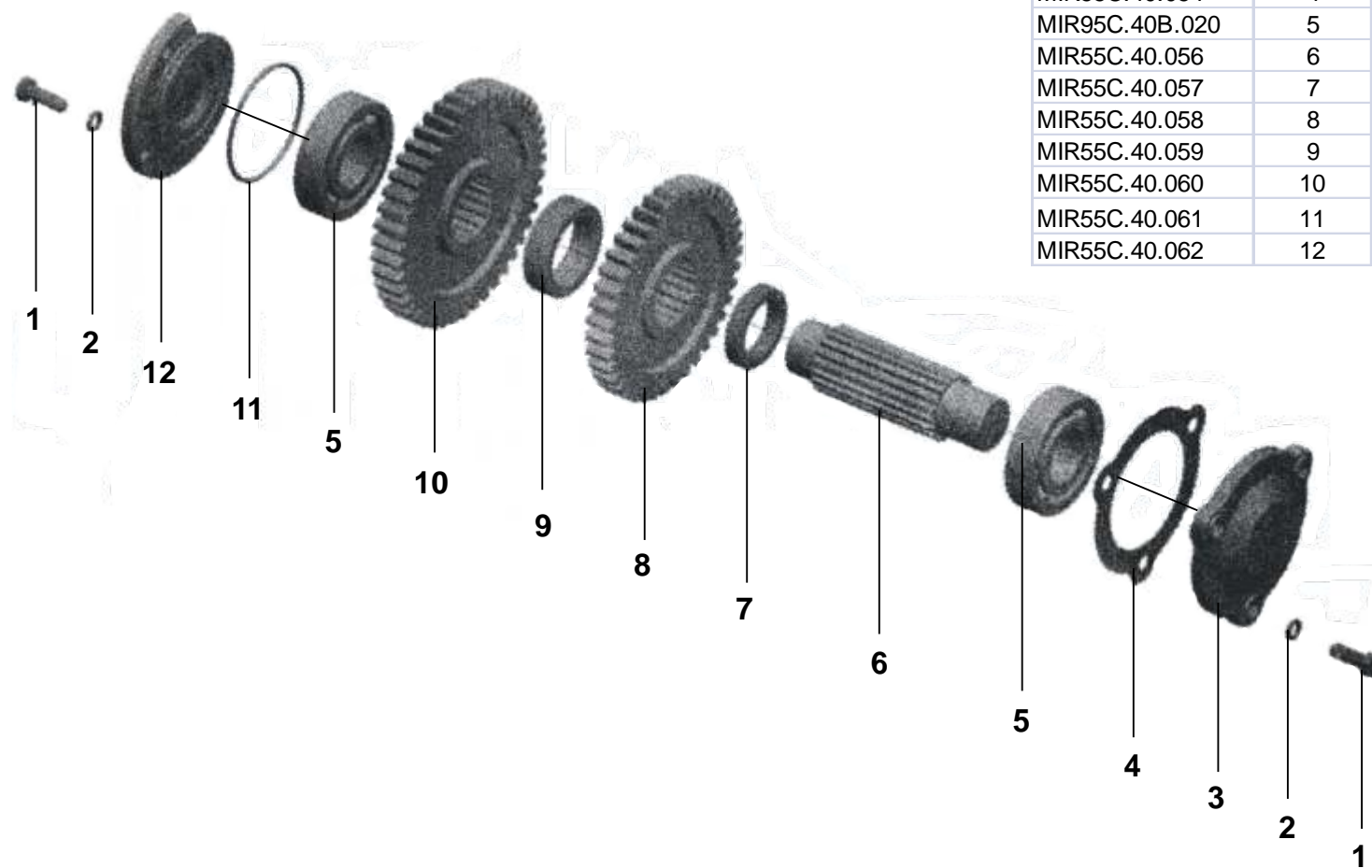
| CODIGO | Nº PIEZA | DESCRIPCION | CANT. |
|---------------|----------|---------------------------------|-------|
| MIR55C.36.100 | | CILINDRO ELEVACION | 1 |
| MIR55C.36.001 | 1 | HORQUILLA ACOUPLE | 1 |
| MIR55C.36.002 | 2 | VASTAGO CILINDRO ELEVACION | 1 |
| MIR55C.36.003 | 3 | KIT REPARACION CILIND ELEVACION | 1 |
| MIR55C.36.004 | 4 | TUERCA DE VASTAGO | 1 |
| MIR55C.36.005 | 5 | PISTON DE CILINDRO ELEVACION | 1 |
| | 6 | BUJE SEPARADOR | 1 |
| MIR55C.36.006 | 7 | MANGA GUIA CILIND ELEVACION | 1 |
| | 8 | TORNILLO | 1 |
| | 9 | ARANDELA | 1 |
| | 10 | PASADOR | 1 |
| MIR55C.36.011 | 11 | FUNDA CILINDRO ELEVACION | 1 |
| MIGB-GE40ES | 12 | BUJE OSCILANTE 40 mm | 1 |
| | 13 | ARO SEEGER 65 mm | 4 |

15- CAJA DE TRANSMISIÓN I



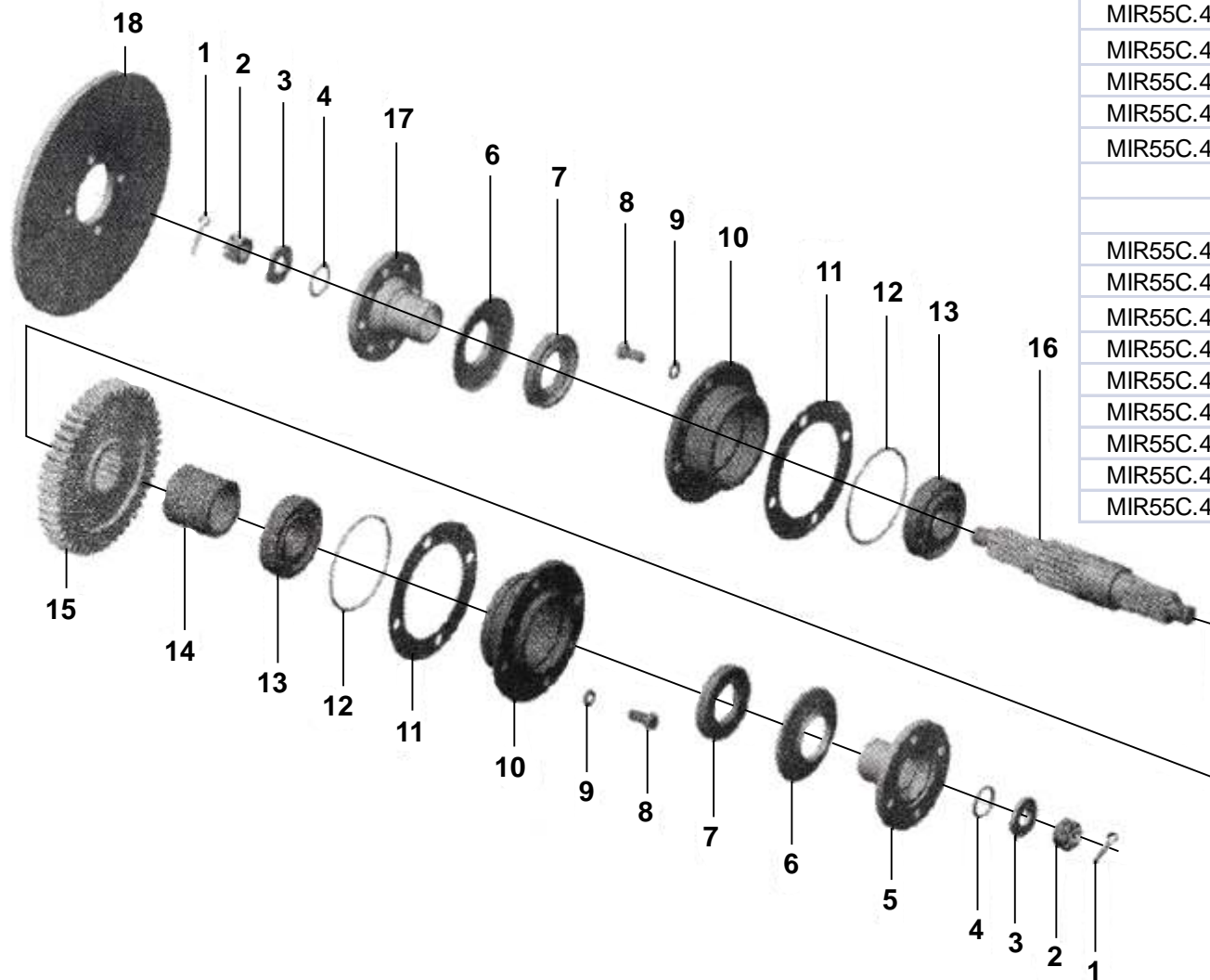
| CODIGO | Nº PIEZA | DESCRIPCION | CANT. |
|---------------|----------|----------------------------------|-------|
| MIR55C.40.100 | | CAJA DE TRANSMISION | |
| | 1 | TORNILLO | 8 |
| | 2 | ARANDELA | 8 |
| MIR55C.40.003 | 3 | SOPORTE DE CAJA TRANSM R55C | 2 |
| MIR55C.40.004 | 4 | ALOJAMIENTO CAJA TRANSM R55C | 1 |
| | 5 | ENGANCHE DE ELEVACIÓN | |
| MIR55C.40.006 | 6 | CONECTOR DE RESPIRADERO R55C | 1 |
| | 7 | ABRAZADERA | |
| MIR55C.40.008 | 8 | MANGUERA RESPIRADERO R55C | 1 |
| MIR55C.40.009 | 9 | TAPA DE RESPIRADERO R55C | 1 |
| MIR55C.40.010 | 10 | VARILLA NIVEL ACEITE TRANSM R55C | 1 |
| MIR55C.40.011 | 11 | JUNTA TAPA EJE R55C | 2 |
| MIR55C.40.012 | 12 | O-RING 16x2.4 | 6 |
| MIR55C.40.013 | 13 | TAPA PUNTA EJE DE ALTA R55C | 1 |
| | 14 | ARANDELA | |
| | 15 | TORNILLO | |
| | 16 | ARANDELA | |
| MIR55C.40.017 | 17 | CONECTOR DE MANGUERA R55C | 1 |
| MIR55C.40.018 | 18 | PERNO HUECO R55C | 1 |
| | 19 | ABROS | 2 |
| | 20 | CONECTOR | 1 |
| MIR55C.40.021 | 21 | PERNO HUECO R55C | 1 |
| | 22 | ARANDELA | 2 |
| MIR55C.40.023 | 23 | TERMINAL ACOPLE | 1 |
| MIR55C.40.024 | 24 | TAPA PUNTA EJE DE BAJA R55C | 1 |
| | 25 | O-RING | |
| | 26 | TORNILLO | 2 |
| MIR55C.40.027 | 27 | COMANDO CAMBIO MARCHA R55C | 1 |
| MIR55C.40.028 | 28 | JUNTA COMANDO CAMBIO R55 | 1 |
| MIR55C.40.029 | 29 | TERMINAL ORIENTABLE R55C | 1 |
| MIR55C.40.030 | 30 | TAPA DE FILTRO R55C | 1 |
| MIR55C.40.031 | 31 | O-RING 45x3.1 | 1 |
| MIR55C.40.032 | 32 | FILTRO HIDRAULICO R55C | 1 |
| MIR55C.40.033 | 33 | TAPON DE ACEITE R55C | 1 |
| MIR55C.40.034 | 34 | TAPA INFERIOR CAJA TRANSM R55C | 1 |
| | 35 | TORNILLO | 4 |
| | 36 | ARANDELA GROWER | |
| | 37 | ARANDELA PLANA | 4 |
| MIR55C.40.038 | 38 | SOPORTE DE FRENO MANO R55C | 1 |
| MIR55C.40.039 | 39 | FRENO DE MANO R55C | 1 |
| | 40 | PERNO HUECO | 1 |
| MIR55C.40.041 | 41 | CAÑO ACEITE TRANSM I R55C | 1 |
| MIR55C.40.042 | 42 | CAÑO ACEITE TRANSM II R55C | 1 |
| MIR55C.40.043 | 43 | CAÑO ACEITE TRANSM III R55C | 1 |
| MIR55C.40.044 | 44 | CAÑO ACEITE TRANSM IV R55C | 1 |

16- CAJA DE TRANSMISIÓN II



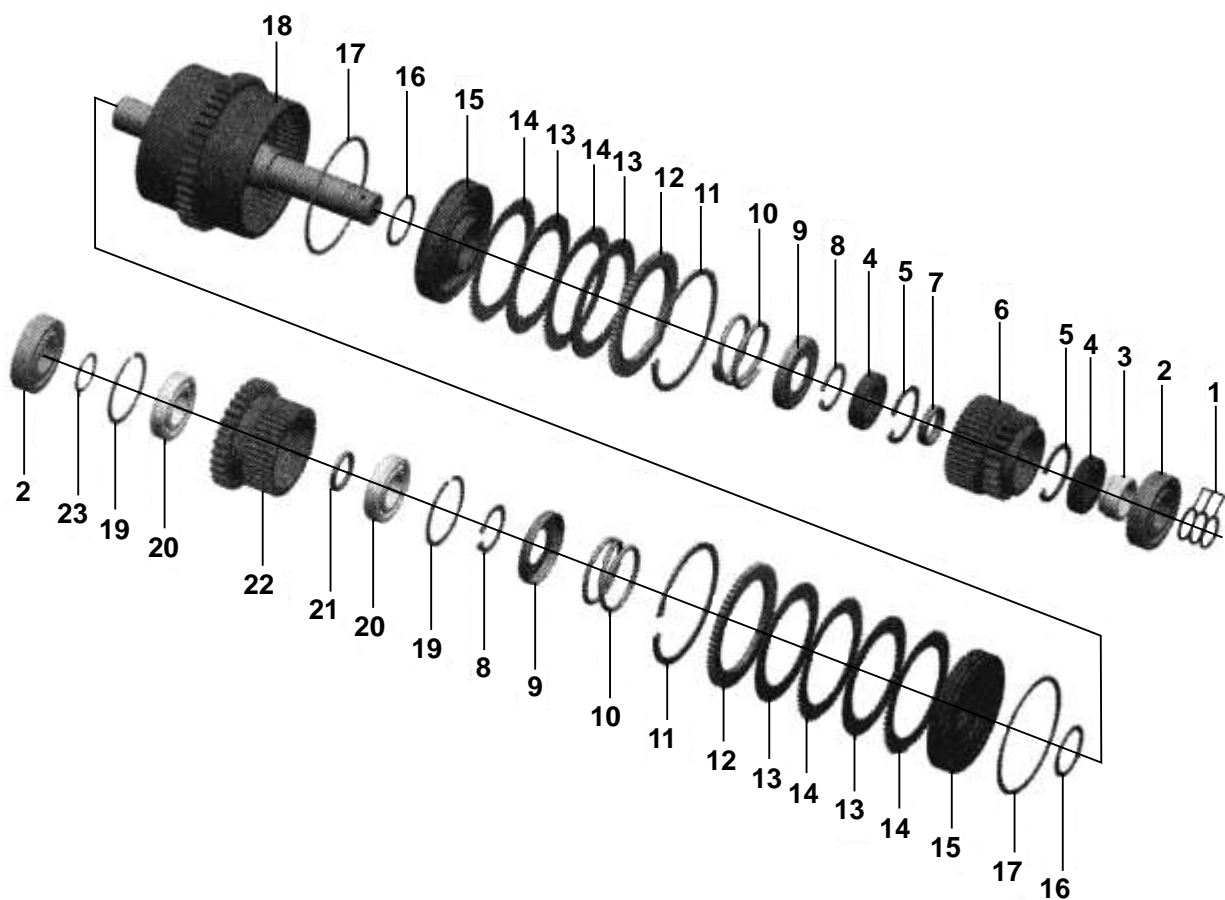
| CODIGO | Nº PIEZA | DESCRIPCION | CANT. |
|----------------|----------|-------------------------------|-------|
| | 1 | TORNILLO | 6 |
| | 2 | ARANDELA GROWER | 6 |
| MIR55C.40.053 | 3 | TAPA DELANT CAJA TRANS. R55C | 1 |
| MIR55C.40.054 | 4 | JUNTA TAPA CAJA TRANS. R55C | 1 |
| MIR95C.40B.020 | 5 | RODAMIENTO 6308 | 2 |
| MIR55C.40.056 | 6 | EJE ESTRIADO CAJA TRANS. R55C | 1 |
| MIR55C.40.057 | 7 | ESPACIADOR R55C | 1 |
| MIR55C.40.058 | 8 | ENGRANAJE CAJA TRANS. R55C | 1 |
| MIR55C.40.059 | 9 | ESPACIADOR R55C | 1 |
| MIR55C.40.060 | 10 | ENGRANAJE CAJA TRANS. R55C | 1 |
| MIR55C.40.061 | 11 | O-RING 90 x 3.1 | 1 |
| MIR55C.40.062 | 12 | TAPA TRANS. CAJA TRANS. R55C | 1 |

17- CAJA DE TRANSMISIÓN III



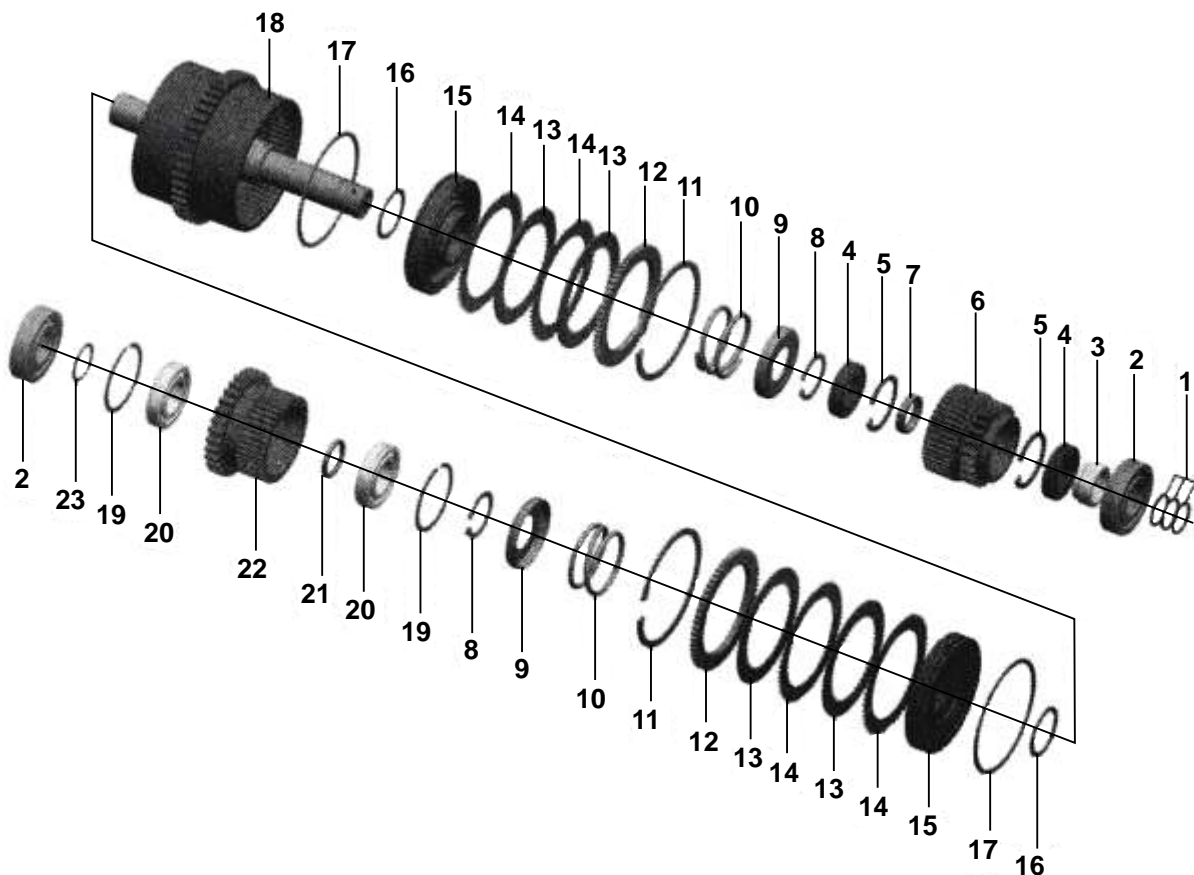
| CODIGO | Nº PIEZA | DESCRIPCION | CANT. |
|---------------|----------|------------------------------|-------|
| | 1 | CHAVETA PARTIDA | 1 |
| MIR55C.40.072 | 2 | TUERCA CASTILLO M 20 X 1.5 | 1 |
| MIR55C.40.073 | 3 | ARANDELA | 1 |
| MIR55C.40.074 | 4 | O-Ring 37 x 3.1 | 2 |
| MIR55C.40.075 | 5 | CONECTOR B. MANDO DELANTERO | 1 |
| MIR55C.40.076 | 6 | RIBETE DE CONECTOR | 1 |
| MIR55C.40.077 | 7 | RETEN 47 x 84 x 12 | 4 |
| | 8 | TORNILLO | 8 |
| | 9 | ARANDELA GROWER | 8 |
| MIR55C.40.080 | 10 | ASIENTO DE RODAMIENTO DELANT | 1 |
| MIR55C.40.081 | 11 | JUNTA | 1 |
| MIR55C.40.082 | 12 | O-Ring 110 x 3.1 | 2 |
| MIR55C.40.083 | 13 | RODAMIENTO 30308 | 2 |
| MIR55C.40.084 | 14 | BUJE ESPACIADOR | 1 |
| MIR55C.40.085 | 15 | ENGRANAJE | 1 |
| MIR55C.40.086 | 16 | EJE SALIDA CAJA TRANSM R55C | 1 |
| MIR55C.40.087 | 17 | CONECTOR B. MANDO TRASERO | 1 |
| MIR55C.40.088 | 18 | DISCO DE FRENO MANO | 1 |

18- EMBRAGUE DE ALTA



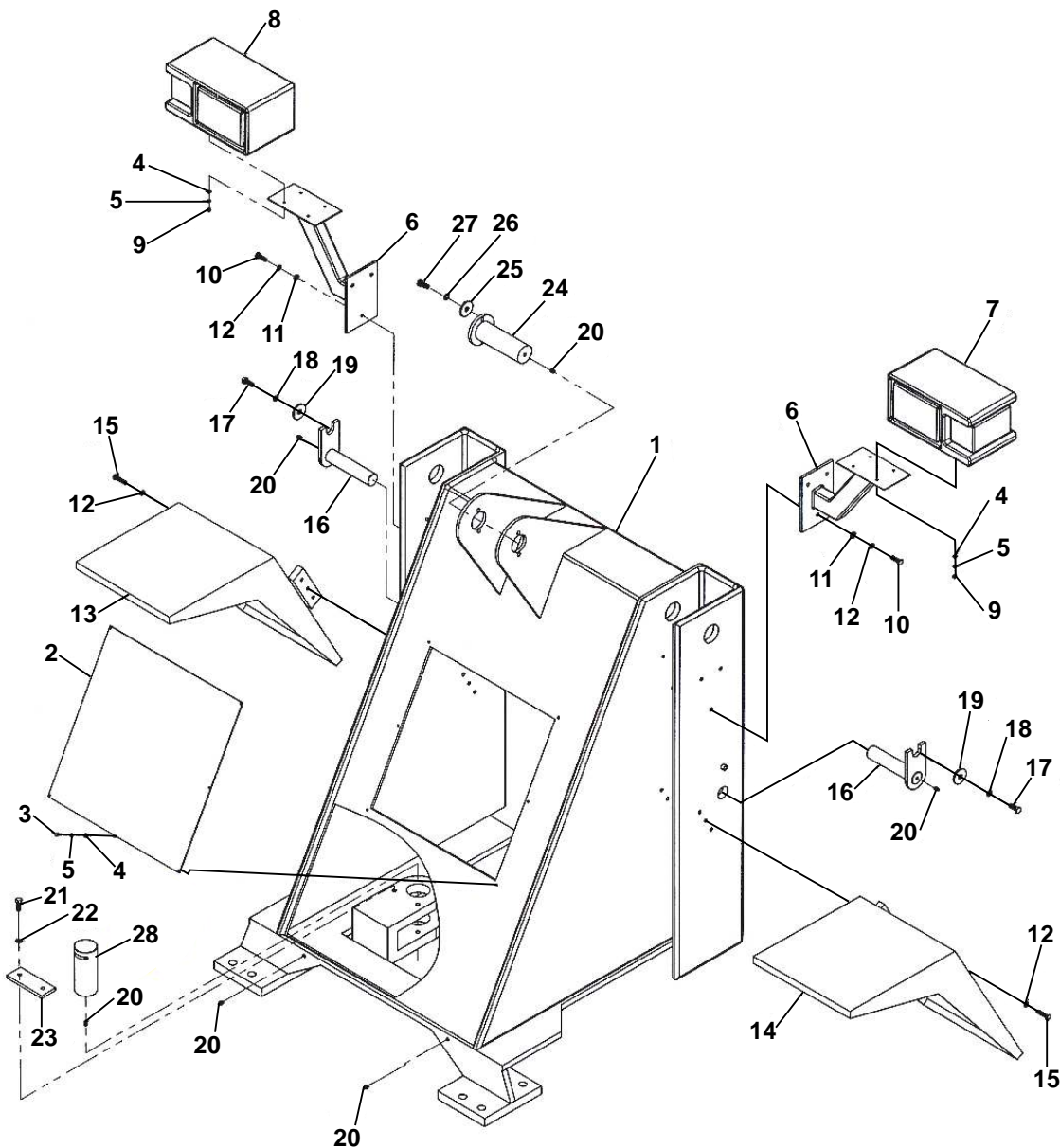
| CODIGO | Nº PIEZA | DESCRIPCION | CANT. |
|----------------|----------|--------------------------------|-------|
| MIR55C.40B.100 | | EMBRAGUE DE ALTA | 1 |
| MIR55C.40B.001 | 1 | ARO SELLO PUNTA EJE TEFLON | 3 |
| MIR95C.40B.020 | 2 | RODAMIENTO 6308 | 2 |
| MIR55C.40B.003 | 3 | BUJE PUNTA EJE TRANSM R55C | 1 |
| MIR55C.40B.004 | 4 | RODAMIENTO 6008 | 2 |
| MIR55C.40B.005 | 5 | ARO SEEGER Ø85 | 2 |
| MIR55C.40B.006 | 6 | ENGRANAJE ACOPLE ALTA | 1 |
| MIR55C.40B.007 | 7 | BUJE ESPACIADOR | 1 |
| MIR55C.40B.008 | 8 | ARO SEEGER Ø50 | 2 |
| MIR55C.40B.009 | 9 | ASIENTO RESORTE | 2 |
| MIR55C.40B.010 | 10 | RESORTE DE PULMON | 2 |
| MIR55C.40B.011 | 11 | ARO SEGURO Ø150 | 2 |
| MIR55C.40B.012 | 12 | DISCO EXPANSOR | 2 |
| MIR55C.40B.013 | 13 | DISCO EMBRAGUE | 8 |
| MIR55C.40B.014 | 14 | DISCO PRESION EMBRAGUE | 8 |
| MIR55C.40B.015 | 15 | PISTON DE EMBRAGUE | 2 |
| MIR55C.40B.016 | 16 | ARO 63X2.4X5.1 C. TRANSM. R55 | 2 |
| MIR55C.40B.017 | 17 | ARO 144x2.4x5.1 C. TRANSM. R55 | 2 |
| MIR55C.40B.018 | 18 | CARCASA DE PULMON ALTA | 1 |
| MIR55C.40B.019 | 19 | ARO SEGURO Ø80 | 2 |
| MIR55C.40B.020 | 20 | RODAMIENTO 6208N | 2 |
| MIR55C.40B.021 | 21 | ESPACIADOR | 1 |
| MIR55C.40B.022 | 22 | ENGRANAJE | 1 |
| MIR55C.40B.023 | 23 | ARANDELA | 1 |

19- EMBRAGUE DE BAJA



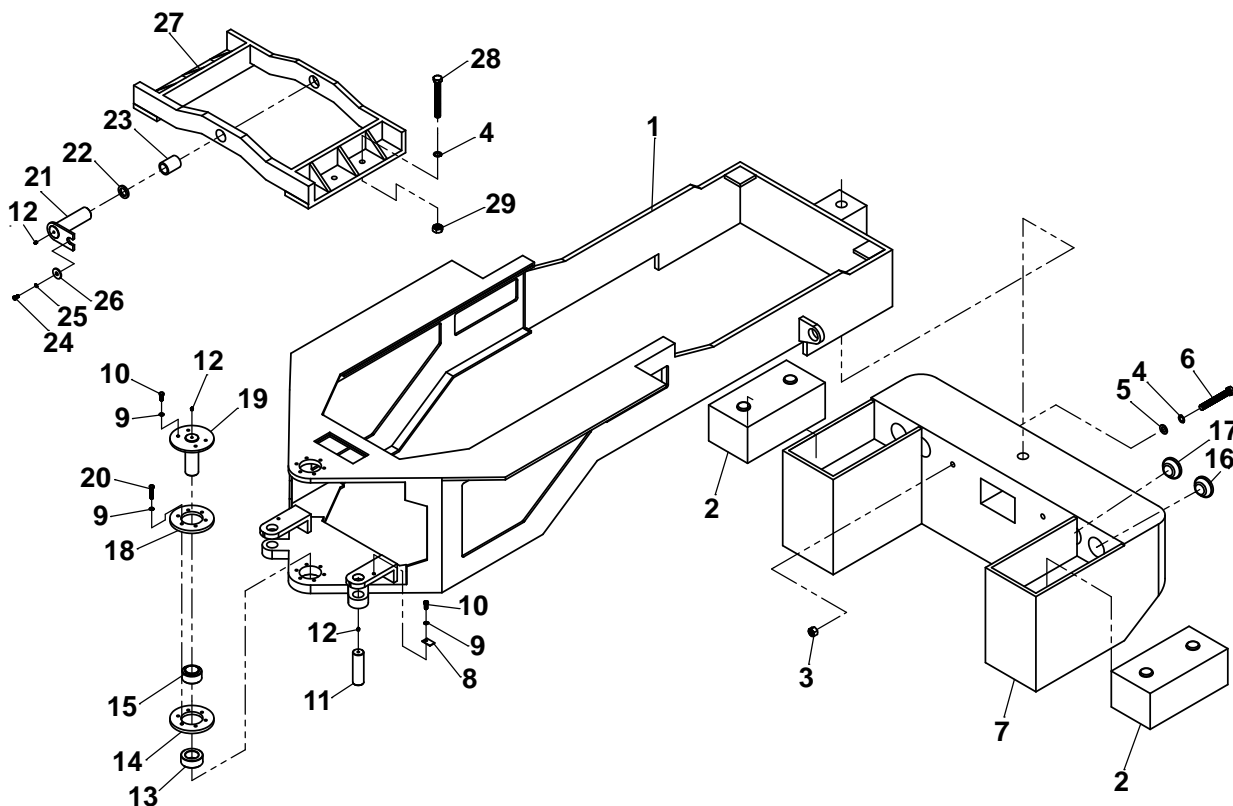
| CODIGO | Nº PIEZA | DESCRIPCION | CANT. |
|----------------|----------|---------------------------------|-------|
| MIR55C.40B.101 | | EMBRAGUE DE BAJA | 1 |
| MIR55C.40B.001 | 1 | ARO SELLO PUNTA EJE TEFLON R55C | 3 |
| MIR95C.40B.020 | 2 | RODAMIENTO 6308 | 2 |
| MIR55C.40B.003 | 3 | BUJE PUNTA EJE TRANSM R55C | 1 |
| MIR55C.40B.025 | 4 | RODAMIENTO 6209 | 2 |
| MIR55C.40B.005 | 5 | ARO SEEGER Ø85 | 2 |
| MIR55C.40B.026 | 6 | ENGRANAJE ACOPLA BAJA | 1 |
| MIR55C.40B.028 | 7 | BUJE ESPACIADOR | 1 |
| MIR55C.40B.008 | 8 | ARO SEEGER Ø50 | 2 |
| MIR55C.40B.009 | 9 | ASIENTO RESORTE | 2 |
| MIR55C.40B.010 | 10 | RESORTE DE PULMON | 2 |
| MIR55C.40B.011 | 11 | ARO SEGURO Ø150 | 2 |
| MIR55C.40B.012 | 12 | DISCO EXPANSOR | 2 |
| MIR55C.40B.013 | 13 | DISCO EMBRAGUE | 8 |
| MIR55C.40B.014 | 14 | DISCO PRESION EMBRAGUE | 8 |
| MIR55C.40B.015 | 15 | PISTON DE EMBRAGUE | 2 |
| MIR55C.40B.016 | 16 | ARO 63X2.4X5.1 C. TRANSM. R55C | 2 |
| MIR55C.40B.017 | 17 | ARO 144x2.4x5.1 C. TRANSM. R55C | 2 |
| MIR55C.40B.027 | 18 | CARCARA DE PULMON BAJA | 1 |
| MIR55C.40B.019 | 19 | ARO SEGURO Ø80 | 2 |
| MIR55C.40B.020 | 20 | RODAMIENTO 6208N | 2 |
| MIR55C.40B.021 | 21 | ESPACIADOR | 1 |
| MIR55C.40B.022 | 22 | ENGRANAJE | 1 |
| MIR55C.40B.023 | 23 | ARANDELA | 1 |

20- CHASIS DELANTERO



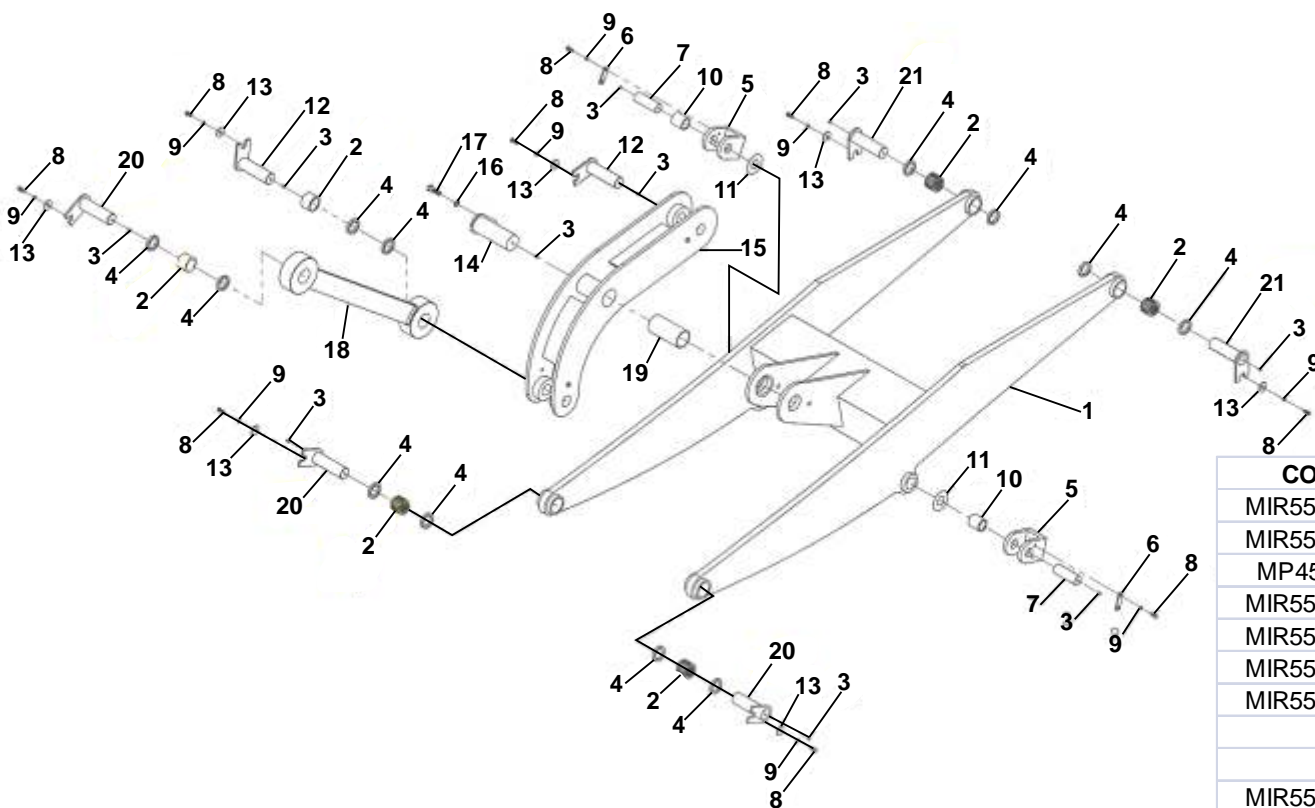
| CODIGO | Nº PIEZA | DESCRIPCION | CANT. |
|---------------|----------|---------------------------------|-------|
| MIR55C.45.001 | 1 | CHASIS DELANTERO | 1 |
| MIR55C.45.002 | 2 | PLACA TAPA DE CHASIS | 1 |
| | 3 | TORNILLO | |
| | 4 | ARANDELA PLANA | |
| | 5 | ARANDELA GROWER | |
| MIR55C.45.006 | 6 | SOPORTE FARO TORRE | 2 |
| MIR75C.45.007 | 7 | FARO DE TORRE DER. | 1 |
| MIR75C.45.008 | 8 | FARO DE TORRE IZQ. | 1 |
| | 9 | TUERCA | |
| | 10 | TORNILLO | |
| | 11 | ARANDELA PLANA | |
| | 12 | ARANDELA GROWER | |
| MIR55C.45.013 | 13 | GUARDABARRO DELANT. DER. | 1 |
| MIR55C.45.014 | 14 | GUARDABARRO DELANT. IZQ. | 1 |
| | 15 | TORNILLO | |
| MIR55C.45.016 | 16 | PERNO CILINDRO ELEVACION | 2 |
| | 17 | TORNILLO | |
| | 18 | ARANDELA GROWER | |
| | 19 | ARANDELA PLANA | |
| | 20 | ALEMITE | 8 |
| | 21 | TORNILLO | |
| | 22 | ARANDELA | |
| | 23 | PLACA TRABA PERNO | 2 |
| MIR55C.47.030 | 24 | PERNO CILINDRO INCLINACION R75C | 1 |
| | 25 | ARANDELA PLANA | |
| | 26 | ARANDELA GROWER | |
| | 27 | TORNILLO | |
| MIR55C.46.011 | 28 | PERNO CILINDRO DIRECCION | 2 |

21- CHASIS CENTRAL



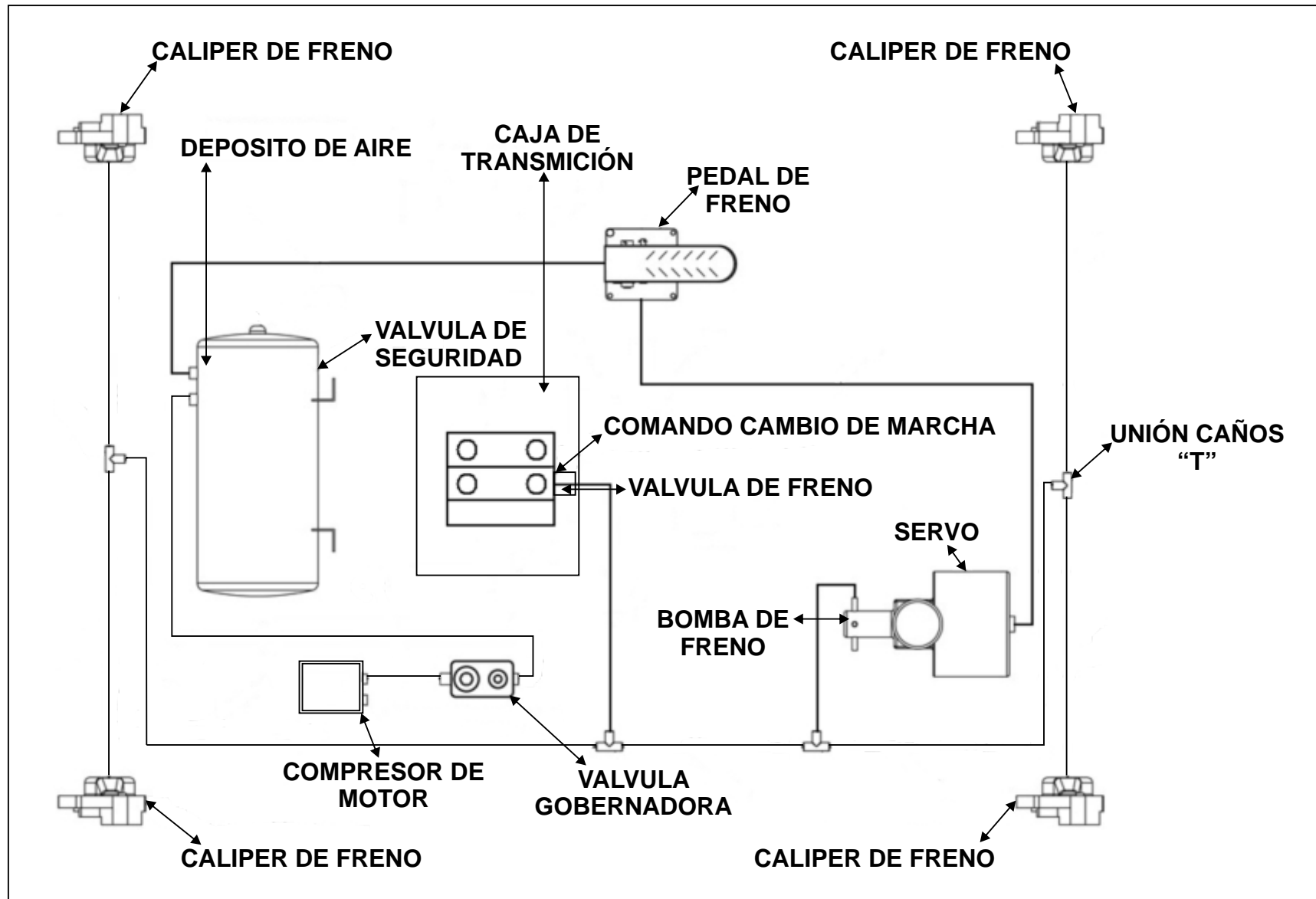
| CODIGO | Nº PIEZA | DESCRIPCION | CANT. |
|---------------|----------|----------------------------------|-------|
| MIR55C.46.001 | 1 | CHASIS CENTRAL | 1 |
| MIR75C.46.030 | 2 | BATERIA | 2 |
| | 3 | TUERCA | |
| | 4 | ARANDELA PLANA | |
| | 5 | ARANDELA GROWER | |
| | 6 | TORNILLO | |
| MIR55C.46.007 | 7 | CONTRAPESO TRASERO | 1 |
| | 8 | PLACA TRABA PERNO | 2 |
| | 9 | ARANDELA GROWER | |
| | 10 | TORNILLO | |
| MIR55C.46.011 | 11 | PERNO CILINDRO DIRECCION | 2 |
| | 13 | SEPARADOR | |
| MP4501.034 | 12 | ALEMITE M 10 x 1 | 6 |
| MIR55C.46.014 | 14 | ARANDELA INF. UNION CHASIS | 2 |
| MIGB-E45ES | 15 | BUJE OSCILANTE 45 mm | 2 |
| MIR75C.46.016 | 16 | LUZ DE STOP LED | 2 |
| MIR75C.46.017 | 17 | LUZ DE GIRO LED | 2 |
| MIR55C.46.019 | 19 | PERNO ARTICULACION CHASIS | 2 |
| | 20 | TORNILLO | |
| MIR55C.46.021 | 21 | PERNO Ø 40 X 98 ASIENTO DIFERENC | 2 |
| | 22 | ARANDELA | |
| MIR55C.47.010 | 23 | BUJE PLASTICO 40 X 55 X 40 | 2 |
| MIR55C.46.027 | 27 | ASIENTO DIFERENCIAL TASERO | 1 |

22- BRAZO DE ELEVACIÓN E INCLINACIÓN

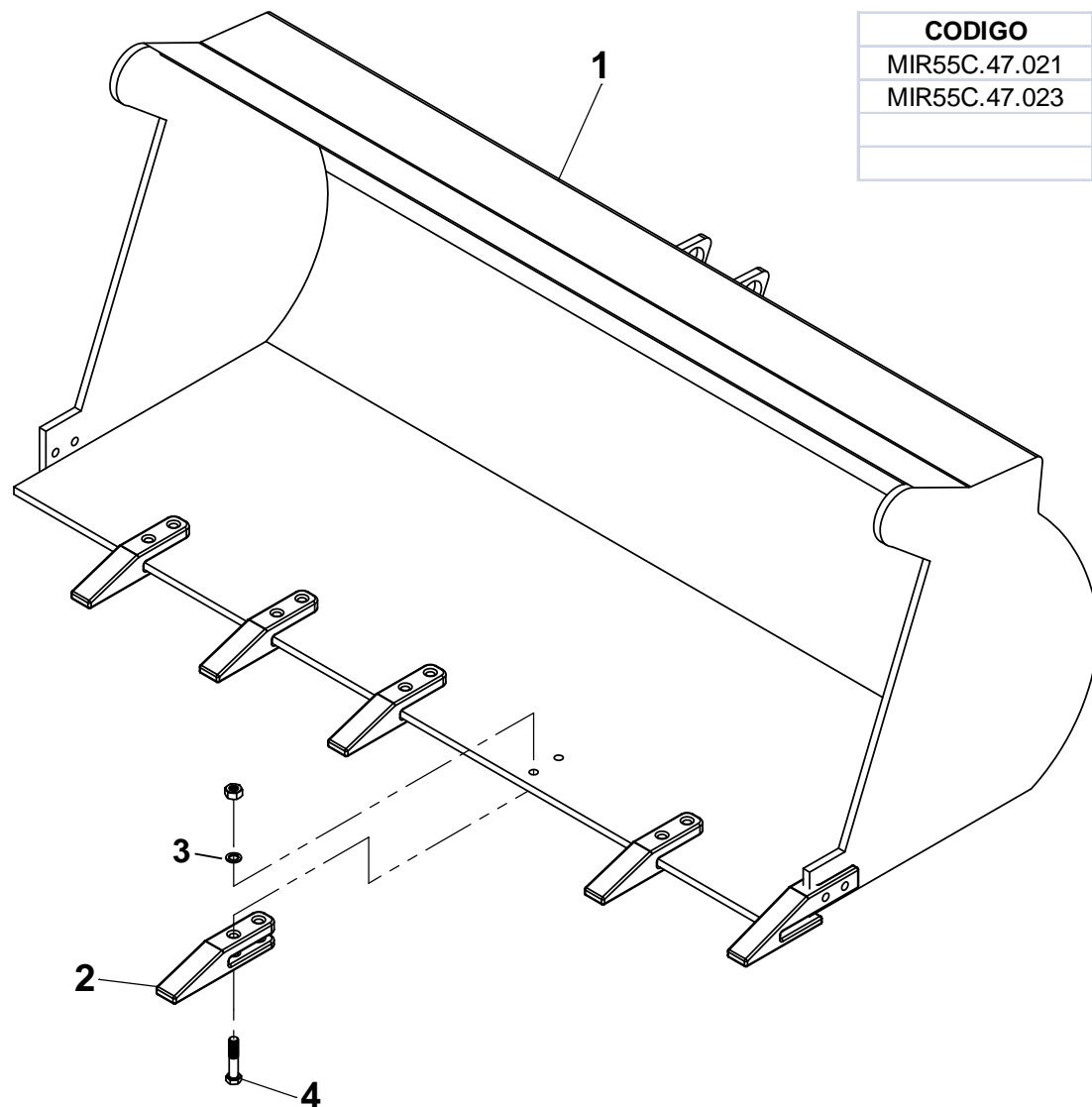


| CODIGO | Nº PIEZA | DESCRIPCION | CANT |
|---------------|----------|---|------|
| MIR55C.47.001 | 1 | BRAZO DE ELEVACION | 1 |
| MIR55C.47.002 | 2 | BUJE PLASTICO 50 X 60 X 60 | 6 |
| MP45.01.034 | 3 | ALEMITE M 10 x 1 | 10 |
| MIR55C.47.004 | 4 | RETEN 50 X 68 X 8 | 8 |
| MIR55C.47.005 | 5 | EXTREMO CILINDRO ELEVACION | 2 |
| MIR55C.47.006 | 6 | PLACA TRABA PERNO | 2 |
| MIR55C.47.007 | 7 | PERNO Ø40X105 CILIND ELEV DELANTERO | 2 |
| | 8 | TORNILLO | |
| | 9 | ARANDELA GROWER | |
| MIR55C.47.010 | 10 | BUJE PLASTICO 40 X 55 X 40 | 2 |
| MIR55C.47.011 | 11 | ARANDELA | 2 |
| MIR55C.47.012 | 12 | PERNO Ø 50 X125 EXTR. BRAZO INCLINACION | 7 |
| | 13 | ARANDELA PLANA | |
| MIR55C.47.014 | 14 | PERNO Ø 65 x 195 BRAZO INCLINACION | 1 |
| MIR55C.47.015 | 15 | BRAZO INCLINACION | 1 |
| MIR55C.47.018 | 18 | BRAZO DE BALDE | 1 |
| MIR55C.47.019 | 19 | BUJE PLASTICO 65X75X130 | 1 |
| MIR55C.47.030 | 20 | PERNO Ø 50 X 130 R25C / R55C | 3 |
| MIR95C.46.011 | 21 | PERNO Ø 50 X 155 | 2 |

23- SISTEMA DE FRENO

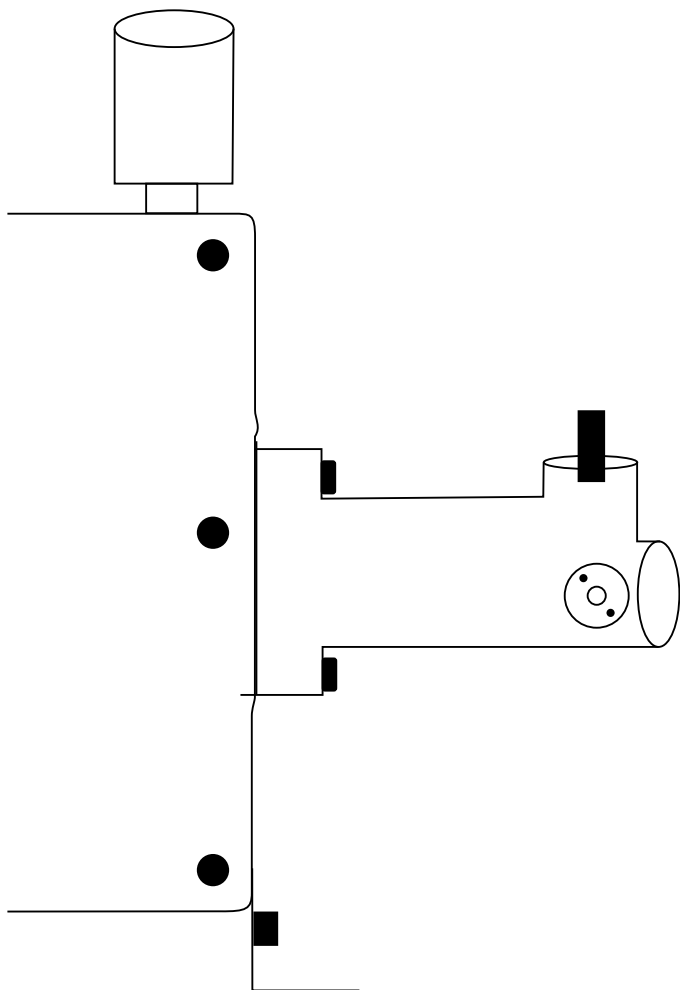


24- BALDE



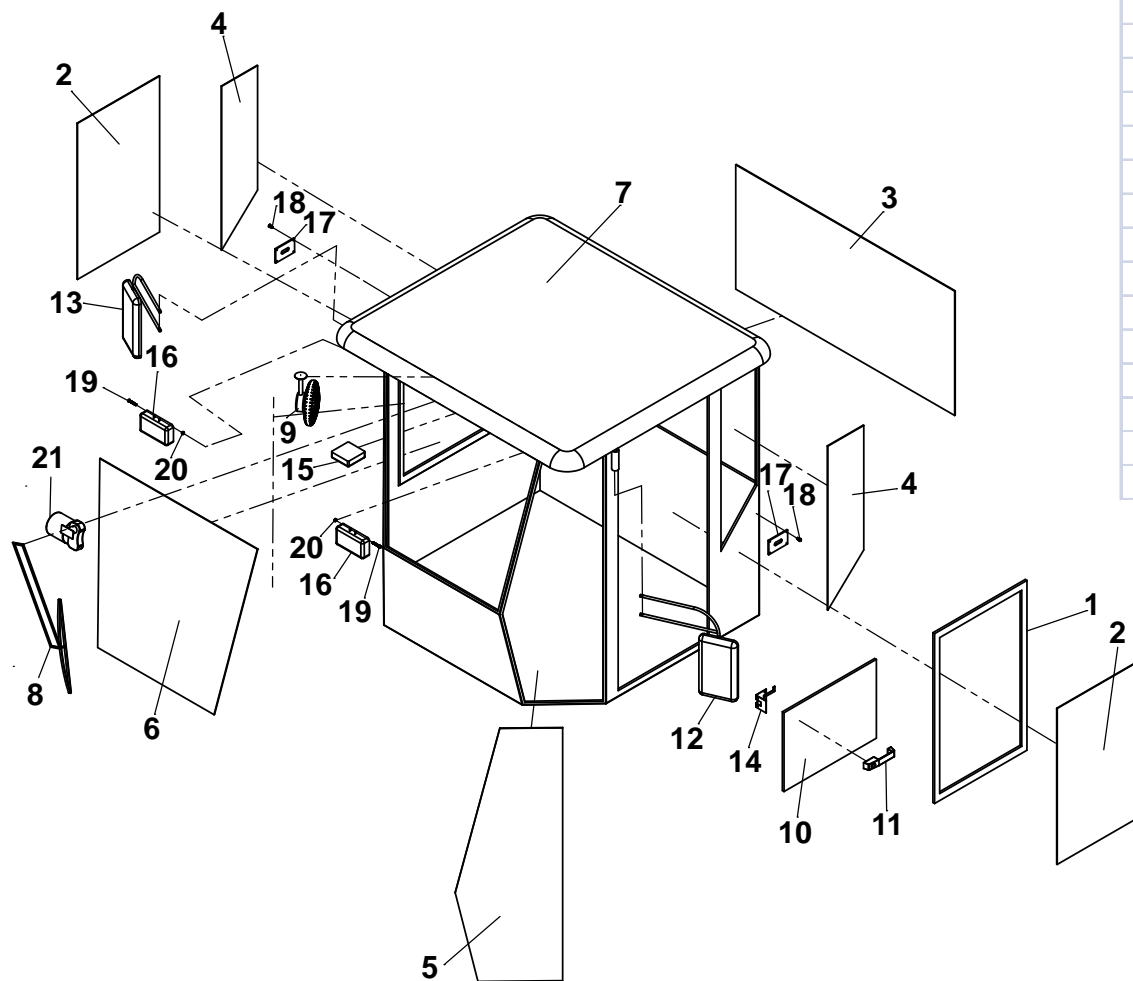
| CODIGO | Nº PIEZA | DESCRIPCION | CANT. |
|---------------|----------|-----------------------------------|-------|
| MIR55C.47.021 | 1 | BALDE | 1 |
| MIR55C.47.023 | 3 | UÑA DE BALDE | 6 |
| | 3 | ARANDELA DE BULON UÑA R45 / 55 | 12 |
| | 4 | BULON C/TUERCA DE UÑA R45C / R55C | 12 |

25- SISTEMA DE FRENO



| CODIGO | Nº PIEZA | DESCRIPCION | CANT. |
|---------------|----------|------------------------------|-------|
| | 1 | SISTEMA DE FRENO | |
| MIR75C.50.002 | 2 | UNION DE CAÑOS "T" | 2 |
| | 3 | CAÑO DE FRENO | 1 |
| | 4 | CAÑO DE FRENO | 1 |
| | 5 | CAÑO DE FRENO | 1 |
| | 6 | CAÑO DE FRENO | 1 |
| | 7 | CAÑO DE FRENO | 1 |
| | 8 | CAÑO DE FRENO | 1 |
| MIR75C.50.011 | 11 | BOMBA C/PULMON AIRE DE FRENO | 1 |
| MIR75C.50.012 | 12 | PEDAL C/VALVULA DE FRENO | 1 |
| | 14 | VALVULA SEG. | |
| MIR55C.50.014 | 15 | TANQUE DE AIRE | 1 |
| MIR55C.50.017 | | SENSOR DE FRENO R55C | 1 |
| MIR75C.50.018 | 18 | VALVULA GOBERNADORA AIRE | 1 |

26- CABINA I



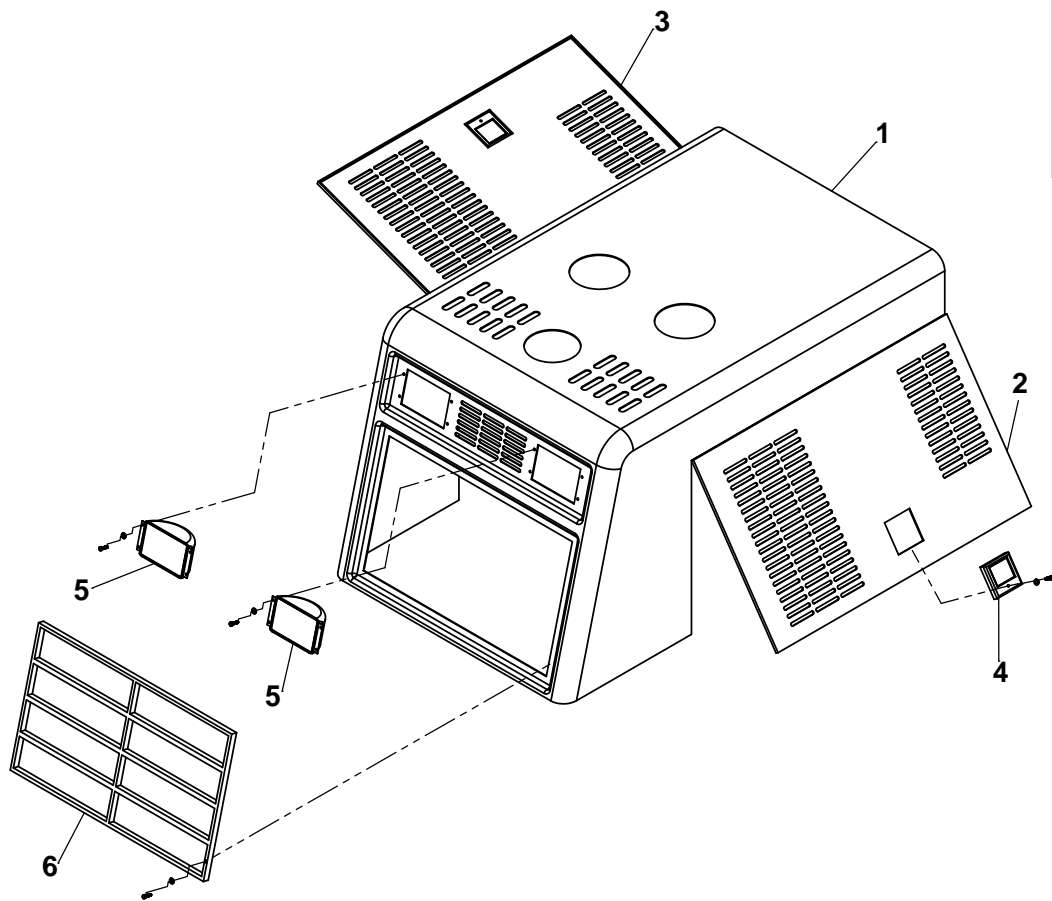
| CODIGO | Nº PIEZA | DESCRIPCION | CANT. |
|---------------|----------|--------------------------|-------|
| MIR55C.57.002 | 2 | VIDRIO DE PUERTA CABINA | 2 |
| MIR55C.57.003 | 3 | VIDRIO TRASERO DE CABINA | 1 |
| MIR55C.57.004 | 4 | VIDRIO LATERAL TRASERO | 2 |
| MIR55C.57.005 | 5 | VIDRIO LATERAL DELANTERO | 2 |
| MIR55C.57.006 | 6 | PARABRISA | 1 |
| MIR55C.57.007 | 7 | CABINA | 1 |
| MIR55C.57.008 | 8 | LIMPIAPARABRISA | 1 |
| MIR75C.57.009 | 9 | VENTILADOR DE CABINA | 1 |
| MIR55C.57.010 | 10 | PUERTA | 1 |
| MIR45C.57.011 | 11 | MANIJA DE PUERTA | 1 |
| MIR45C.57.012 | 12 | ESPEJO RETROVISOR | 1 |
| MIR75C.57.014 | 14 | CERRADURA DE PUERTA | 1 |
| MIR55C.57.015 | 15 | LUZ INTERIOR CABINA | 1 |
| MIR55C.57.016 | 16 | FARO SUPERIOR DE CABINA | 2 |
| MIR55C.57.017 | 17 | CERRADURA TRABA | 2 |
| MIR75C.57.021 | 21 | MOTOR LIMPIAPARABRISA | 1 |

27- CABINA II

| CODIGO NUEVO | Nº PIEZA | DESCRIPCION | CANT. |
|-----------------|----------|-------------------------------------|-------|
| MIR55C.57B.044 | | BUTACA DE CONDUCTOR R55C | 1 |
| MIR55C.57B.047 | | CABLE PARADA R55C | 1 |
| MIR55C.57B.048 | | CABLE ACELERADOR R55C | 1 |
| MIR55C.57B.052 | | CABLE ALTA Y BAJA R55C | 1 |
| MIR55C.57B.052N | | CABLE ALTA Y BAJA R55C NAC | 1 |
| MIR55C.57B.054 | | CABLE FRENO MANO R55C | 1 |
| MIR55C.57C.085 | | SELECTOR DE CAMBIOS COMP R55C DOBLE | 1 |
| MIR55C.57C.090 | | TECLAS VENTIL CABINA Y LUZ R55C | 1 |
| MIR55C.57C.091 | | TECLA LUZ ALTA R55C | 1 |
| MIR55C.57C.092 | | TECLA LIMPIAPARABRISAS R55C | 1 |
| MIR55C.57C.093 | | TECLA LUZ CABINA R55C | 1 |
| MIR55C.57C.094 | | TECLA LUZ STOP R55C | 1 |
| MIR55C.57C.095 | | TECLA FARO TRASERO R55C | 1 |

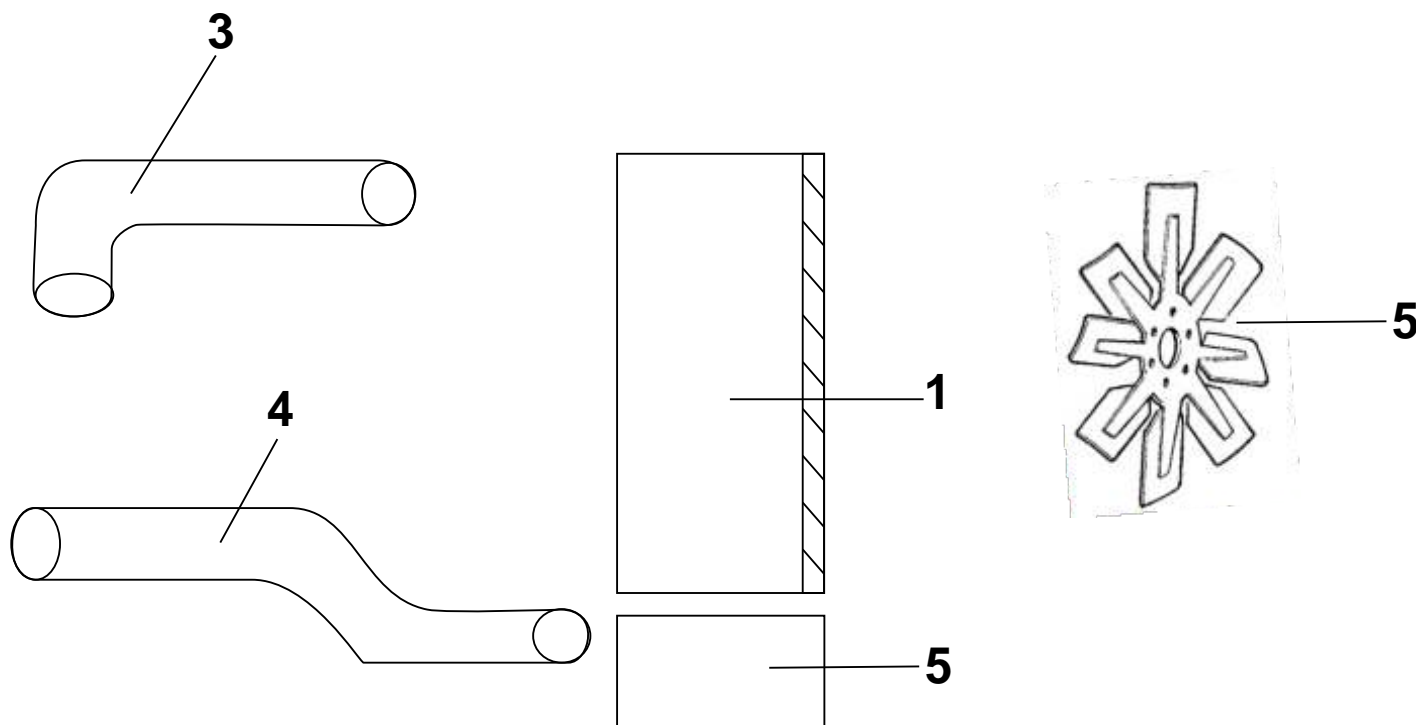
28- CAPÓ

| CODIGO | Nº PIEZA | DESCRIPCION | CANT. |
|---------------|----------|-------------------------|-------|
| MIR55C.64.001 | 1 | CAPÓ | 1 |
| MIR55C.64.002 | 2 | COMPUERTA DE CAPÓ DER. | 1 |
| MIR55C.64.003 | 3 | COMPUERTA DE CAPÓ IZQ. | 1 |
| MIR45C.64.004 | 4 | MANIJA C/CERRADURA CAPÓ | 2 |
| MIR55C.64.005 | 5 | FARO TRASERO | 2 |
| MIR55C.64.006 | 6 | PARRILLA TRASERA | 1 |

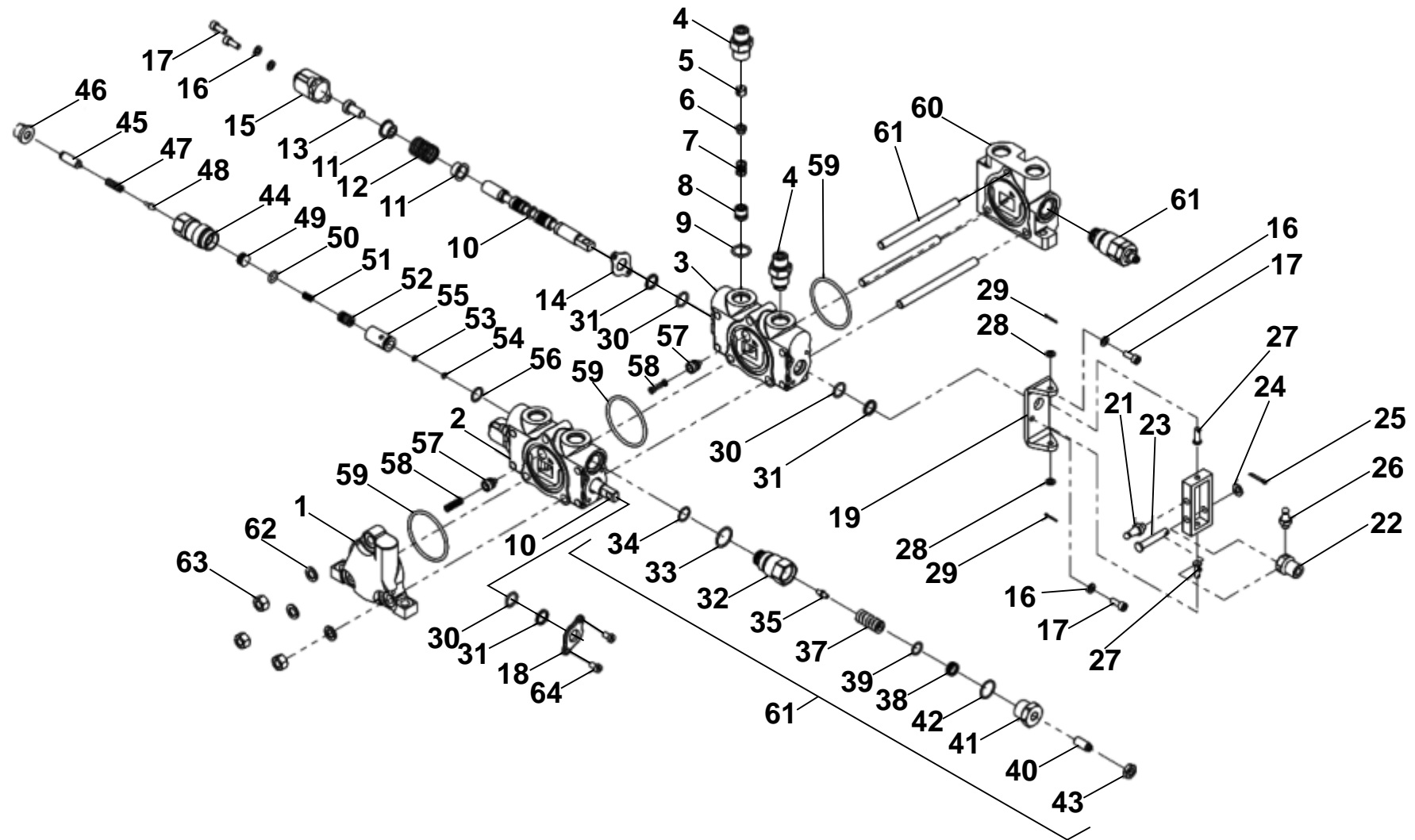


29- RADIADOR Y ACCESORIOS DE MOTOR

| CODIGO NUEVO | Nº PIEZA | DESCRIPCION | CANT. |
|---------------|----------|-------------------------------------|-------|
| MIR55C.90.001 | 1 | RADIADOR DE AGUA R55C | 1 |
| MIR55C.90.003 | | VENTILADOR R55C CUMMINS | 1 |
| MIR55C.90.006 | 3 | MANGUERA ENTRADA RADIADOR R55 / R75 | 1 |
| MIR55C.90.007 | 4 | MANGUERA SALIDA RADIADOR R55 / R75 | 1 |
| MIR55C.90.008 | 5 | RADIADOR DE ACEITE R55C | 1 |



30- VALVULA MULTIVIA DOBLE





MICHIGAN[®]

DHM INDUSTRIA S.A.

Ruta Nac. N° 9 km. 501 - 2° Sección // CP: 2550 Bell Ville // Cba. // Argentina

Tel.: 03537 412702 // Fax: 03537 422701 // 0800-888-7676

www.michiganweb.com.ar - www.dhmweb.com.ar